

PUT RENOWN IN YOUR BRAND

USE SKOOCOM PUMP AND VALVE

"Take quality as the life, take customers as the center, jointly create value and achievement together "sharing results with others" is our company's business concept, in order to achieve these goals wish, we have been working hard



时光电子
SKOOCOM

Product catalog

(Air pump)



A variety
of pump valves
for you to choose from

Catalogue

PRODUCT MODEL	FLOW RANGE	THE NUMBER OF PAGES	PRODUCT MODEL	FLOW RANGE	THE NUMBER OF PAGES
SC0801XPM	>0.3L/min	01	SC2717XPM	>1.8L/min	32
SC0801XPV	>0.4L/min	02	SC2726XPM	>1.8L/min	33
SC1401LPV	>0.5L/min	03	SC3204XPV	>2L/min	34
SC1402LPV	>0.5L/min	04	SC2703XPV	>2.5L/min	35
SC1201XPM	>0.7L/min	05	SC2713XPM	>2.6L/min	36
SC1201XPV	>0.7L/min	06	SC2710XPV	>2.7L/min	37
SC1202XPM	>0.7L/min	07	SC2601PPV	>3L/min	38
SC1203XPM	>0.7L/min	08	SC2701XPV	>3L/min	39
SC1204XPM	>0.7L/min	09	SC2702XPV	>3L/min	40
SC1301XPM	>0.7L/min	10	SC2706XPV	>3L/min	41
SC1301XPV	>0.7L/min	11	SC3201XPM	>3L/min	42
SC1801PPM	>0.7L/min	12	SC3301XPV	>3.5L/min	43
SC1801PPV	>0.7L/min	13	SC3501PPV	>3.5L/min	44
SC1802PPV	>0.7L/min	14	SC3602XPM	>3.5L/min	45
SC1803PPV	>0.7L/min	15	SC3001HPM	>4L/min	46
SC3501PPV	>0.7L/min	16	SC3001PPV	>4L/min	47
SC2001XPM	>1L/min	17	SC3203XPM	>4L/min	48
SC2201XPM	>1L/min	18	SC3201PPV	>4L/min	49
SC2710XPM	>1.3L/min	19	SC3301XPM	>4.5L/min	50
SC1501XPM	>1.5L/min	20	SC3203XPV	>5.5L/min	51
SC2704XPM	>1.5L/min	21	SC1060DPV	>10L/min	52
SC2719XPM	>1.5L/min	22	SC4001PPM	>10L/min	53
SC2724XPM	>1.5L/min	23	SC4001PPV	>10L/min	54
SC2201XPV	>1.6L/min	24	SC4002PPM	>10L/min	55
SC2709XPM	>1.6L/min	25	SC4002PPV	>10L/min	56
SC1503XPM	>1.7L/min	26	SC6001XPV	>12L/min	57
SC2701XPM	>1.8L/min	27	SC6005XPV	>12L/min	58
SC2702XPM	>1.8L/min	28	SC6001XPM	>15L/min	59
SC2703XPM	>1.8L/min	29	SC6002XPM	>15L/min	60
SC2706XPM	>1.8L/min	30	SC6005XPM	>15L/min	61
SC2707XPM	>1.8L/min	31			

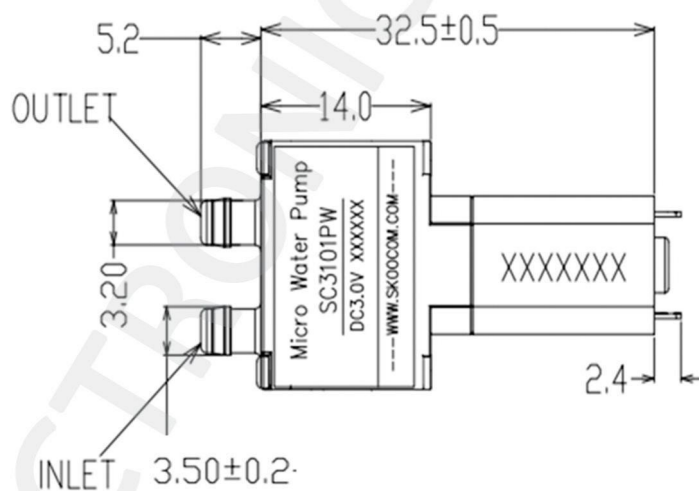
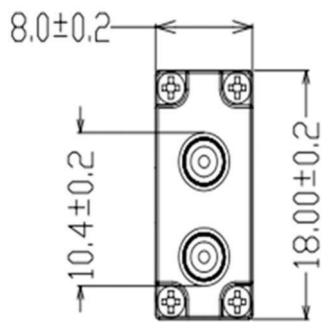
型号 Model: SC0801XPM

旧版型号: SC3101PM



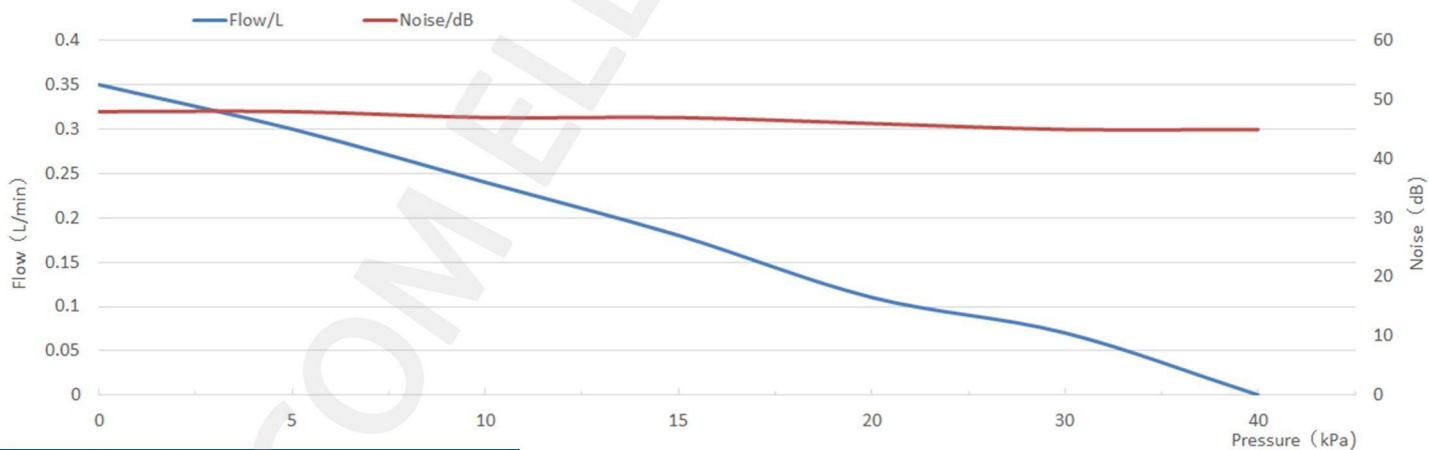
Application Beauty equipment/Gas sampling/Sphygmomanometer, etc

产品尺寸 Dimension:



性能曲线图 Performance curve:

性能曲线图 Performance curve:流量和噪音变化



产品参数 Parameter:

Specification 产品规格	
额定电压 Rated voltage	DC3.0V DC6.0V
额定电流 Rated current	<350mA <150mA
气流量 Air flow	>0.3L/min
压力 Pressure	>40kPa
噪音 Noise	<55dB (30 cm away)
使用流体 Medium	Air
寿命试验 Lifetime test	100,000 cycle(5s on, 5s off)
使用环境 Working environment	0~50 °C, 75% RH

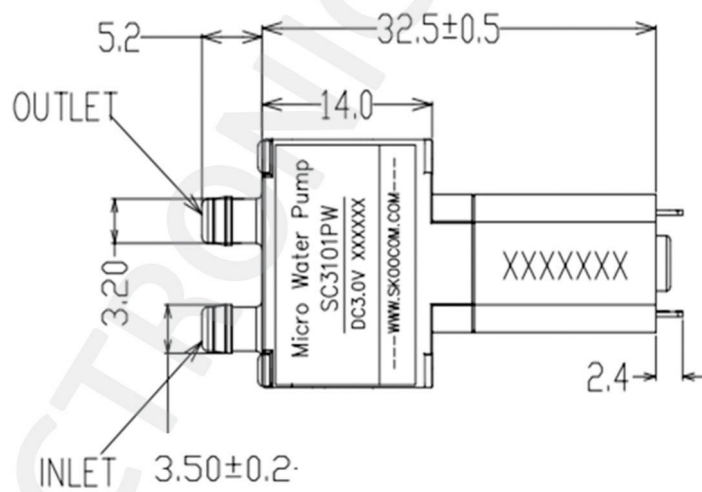
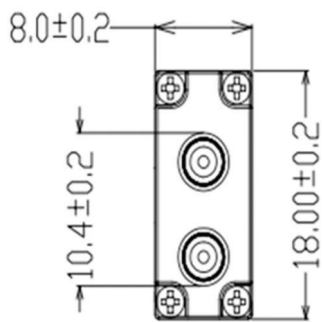
型号 Model: SC0801XPV

旧版型号: SC3101PM



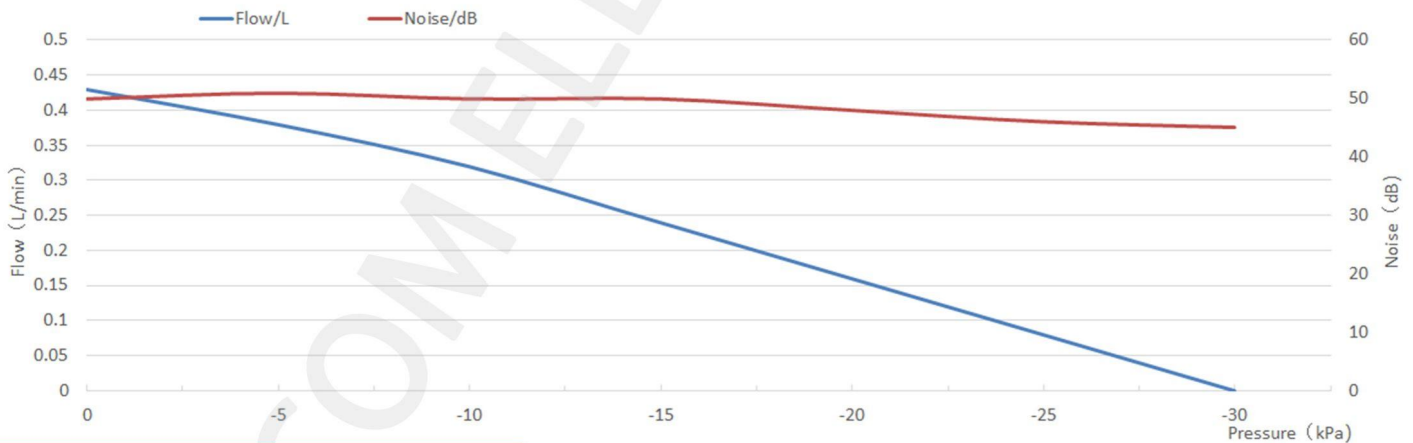
Application Beauty equipment/Gas sampling/Sphygmomanometer, etc

产品尺寸 Dimension:



性能曲线图 Performance curve:

性能曲线图 Performance curve:流量和噪音变化



产品参数 Parameter:

Specification 产品规格			
额定电压	Rated voltage	DC3.0V	DC6.0V
额定电流	Rated current	<350mA	<150mA
气流量	Air flow	>0.4L/min	
真空	Vacuum	<-30kPa	
噪音	Noise	<55dB (30 cm away)	
使用流体	Medium	Air	
寿命试验	Lifetime test	100,000 cycle(5s on, 5s off)	
使用环境	Working environment	0~50 °C, 75% RH	

型号 Model: SC1401LPV

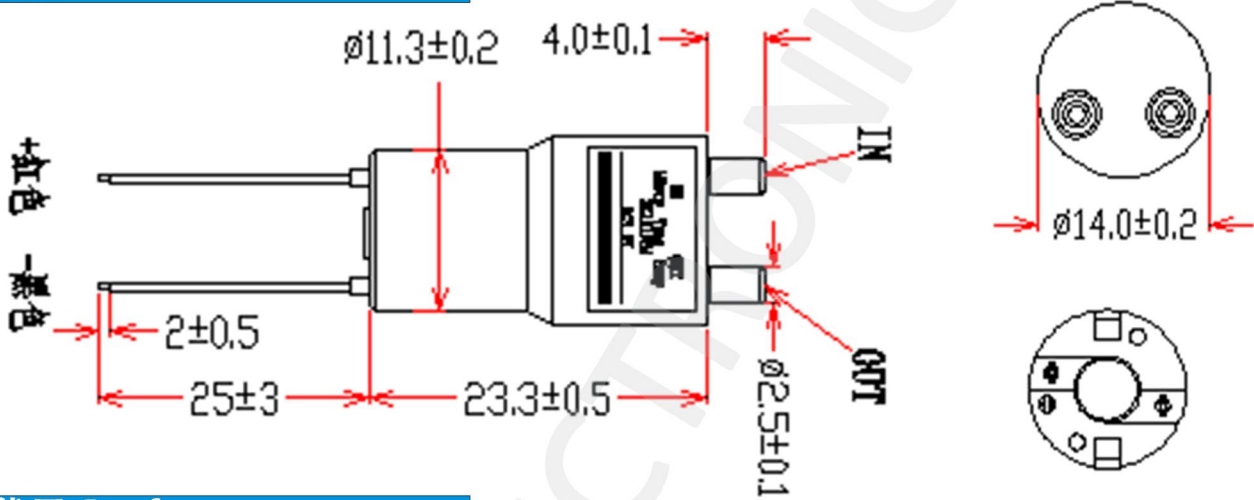
旧版型号: SC1215PM



Application

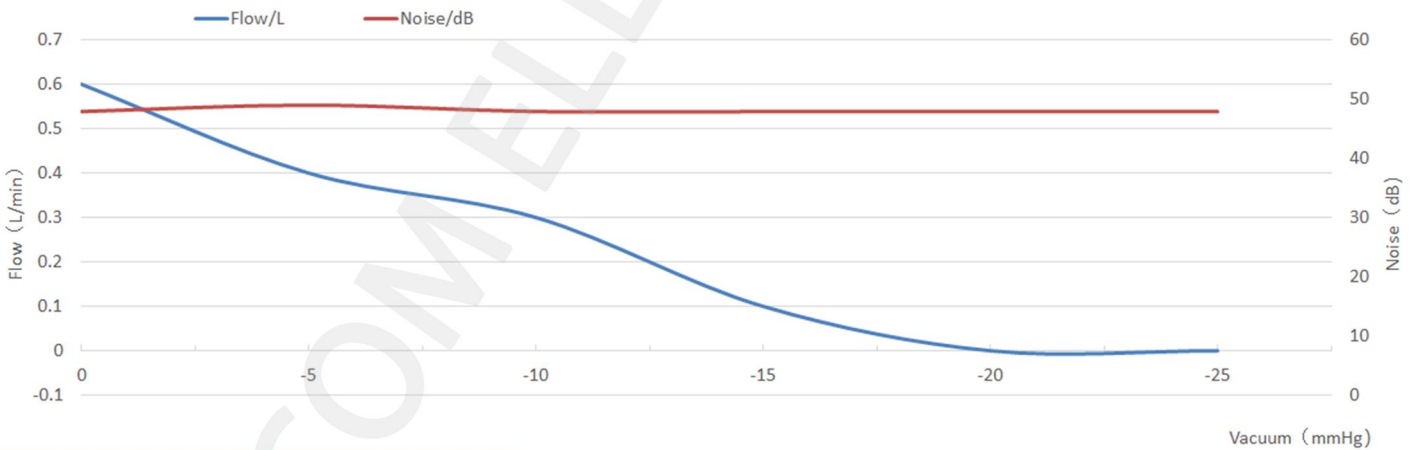
Air sampler etc

产品尺寸 Dimension:



性能曲线图 Performance curve:

性能曲线图 Performance curve: 流量和噪音变化



产品参数 Parameter:

Specification 产品规格		
额定电压	Rated voltage	DC3.0V
额定电流	Rated current	<200mA
气流量	Air flow	>0.5L/min
真空	Vacuum	≤-15mmhg
噪音	Noise	<55dB (30 cm away)
使用流体	Medium	Air
寿命试验	Lifetime test	>100H
使用环境	Working environment	0~50 °C, 75% RH

型号 Model: SC1402LPV

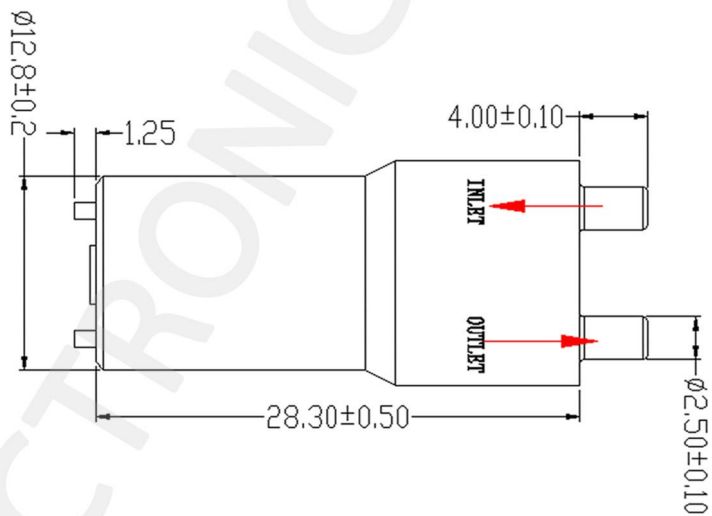
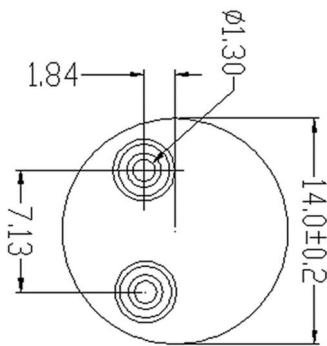
旧版型号: SC1220PM



Application

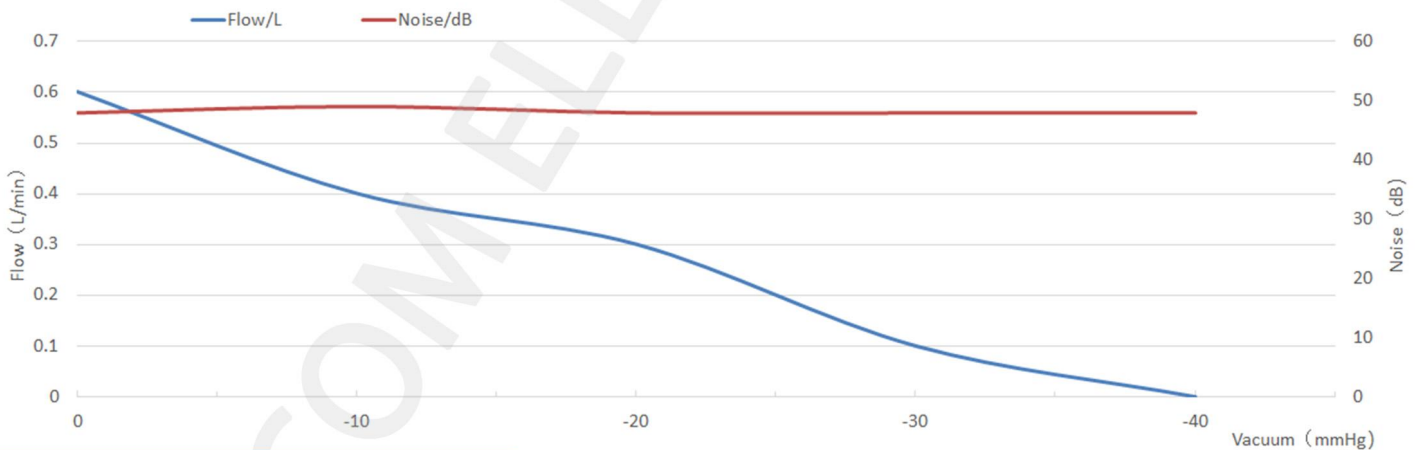
Air sampler etc

产品尺寸 Dimension:



性能曲线图 Performance curve:

性能曲线图 Performance curve:流量和噪音变化



产品参数 Parameter:

Specification 产品规格		
额定电压	Rated voltage	DC3.0V
额定电流	Rated current	<200mA
气流量	Air flow	>0.5L/min
真空	Vacuum	≤-30mmhg
噪音	Noise	<55dB (30 cm away)
使用流体	Medium	Air
寿命试验	Lifetime test	>100H
使用环境	Working environment	0~50 °C, 75% RH

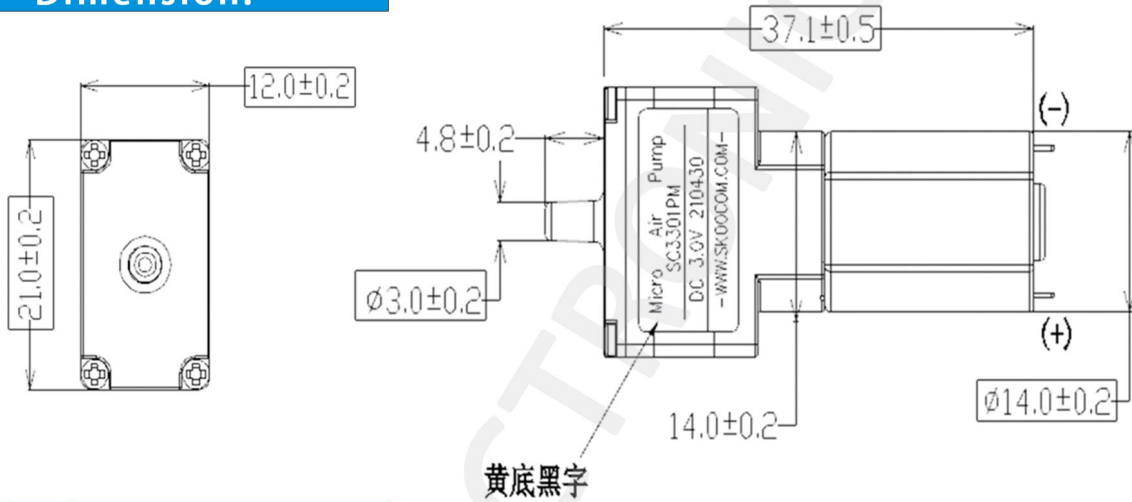
型号 Model: SC1201XPM

旧版型号: SC3301PM



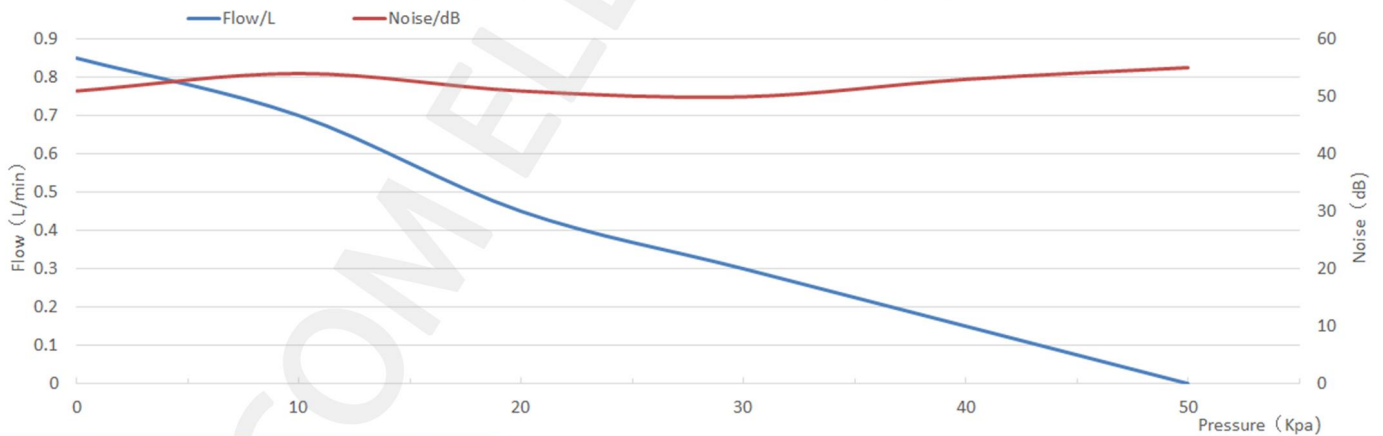
Application: Massage Machine/Blood Pressure Tester etc

产品尺寸 Dimension:



性能曲线图 Performance curve:

性能曲线图 Performance curve: 流量和噪音变化



产品参数 Parameter:

Specification 产品规格		DC3.0V	DC6.0V	DC12.0V
额定电压	Rated voltage	DC3.0V	DC6.0V	DC12.0V
额定电流	Rated current	<500mA	<300mA	<200mA
充气时间	Inflation time	<10s (From 0 to 300mmHg in a 500CC tank)		
气密性	Leakage	<3mmHg/min from 300mmHg in a 500CC tank		
气流量	Air flow	>0.7L/min		
压力	Pressure	>40kPa		
噪音	Noise	<65dB (30 cm away)		
使用流体	Medium	Air		
寿命试验	Lifetime test	50,000 cycle (10s on, 2s off, 5s exhaust)		
使用环境	Working environment	0~50 °C, 75% RH		

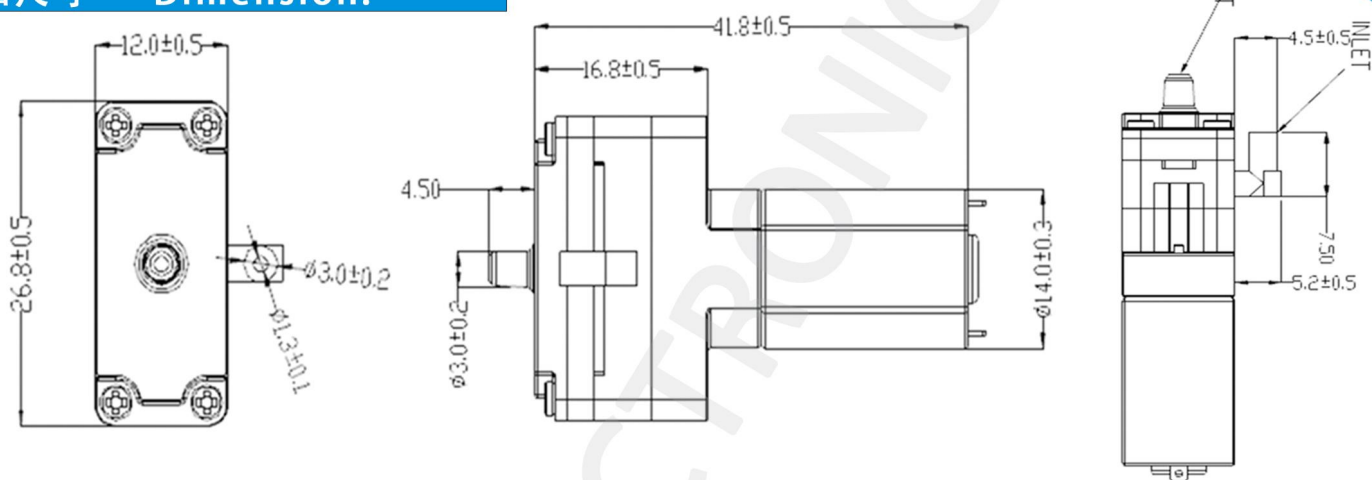
型号 Model: SC1201XPV

旧版型号: SC3402PM



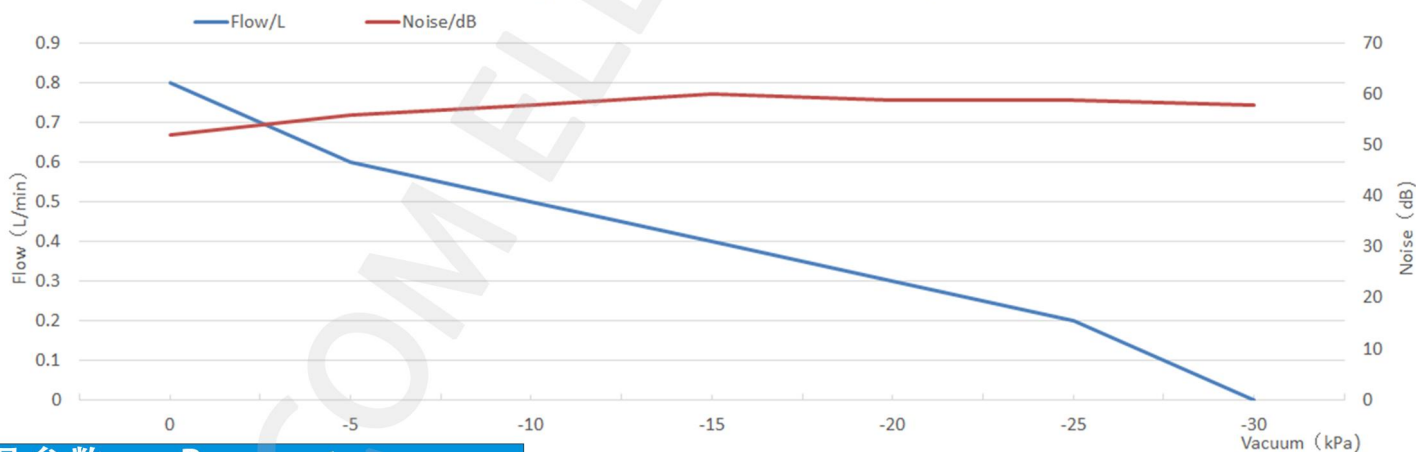
Application Blood Pressure Tester /Cosmetic Instrument/
Air sampler etc

产品尺寸 Dimension:



性能曲线图 Performance curve:

性能曲线图 Performance curve:流量和噪音变化



产品参数 Parameter:

Specification 产品规格				
额定电压	Rated voltage	DC3.0V	DC6.0V	DC12.0V
额定电流	Rated current	<350mA	<200mA	<150mA
气流量	Air flow	>0.7L/min		
真空度	Vacuum	<-26kPa		
噪音	Noise	<65dB (30 cm away)		
使用流体	Medium	Air		
寿命试验	Lifetime test	100,000 cycles (5s on, 2s off, 5s exhaust)		
使用环境	Working environment	0~50 °C, 75% RH		

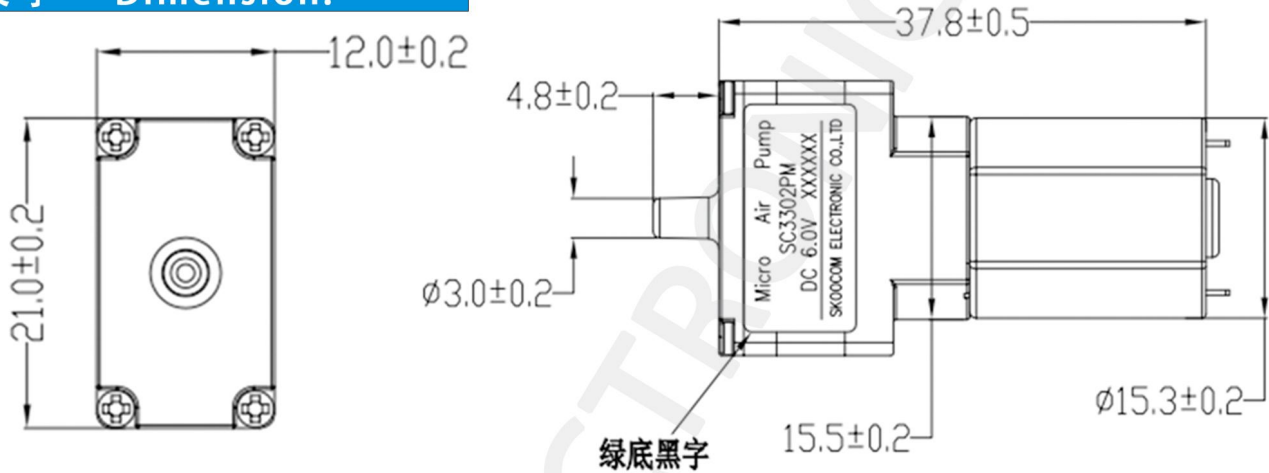
型号 Model: SC1202XPM

旧版型号: SC3302PM



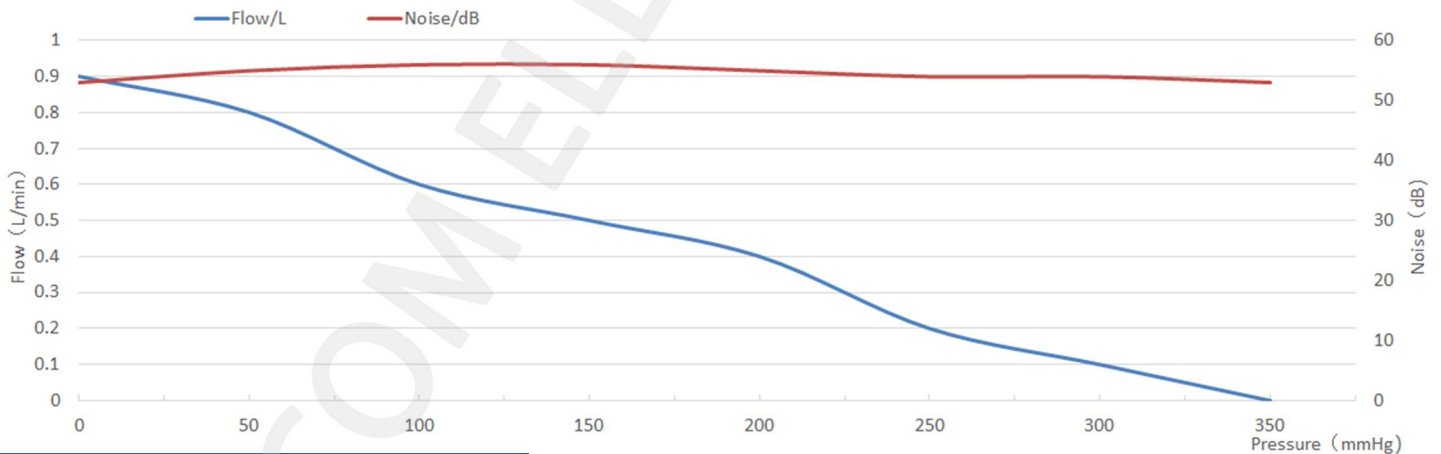
Application: Massage Machine/ Blood Pressure Tester/Air sampler etc

产品尺寸 Dimension:



性能曲线图 Performance curve:

性能曲线图 Performance curve:流量和噪音变化



产品参数 Parameter:

Specification 产品规格			
额定电压	Rated voltage	DC3.0V	DC6.0V
额定电流	Rated current	300mA	<200mA
充气时间	Inflation time	<10s (From 0 to 300mmHg in a 500CC tank)	
气密性	Leakage	<3mmHg/min from 300mmHg in a 500CC tank	
气流量	Air flow	>0.7L/min	
最大压力	Pressure	>350mmHg	
噪音	Noise	<62dB (30 cm away)	
使用流体	Medium	Air	
寿命试验	Lifetime test	30,000 cycles (10s on, 2s off, 5s exhaust)	
使用环境	Working environment	0~50 °C, 75% RH	

型号 Model: SC1203XPM

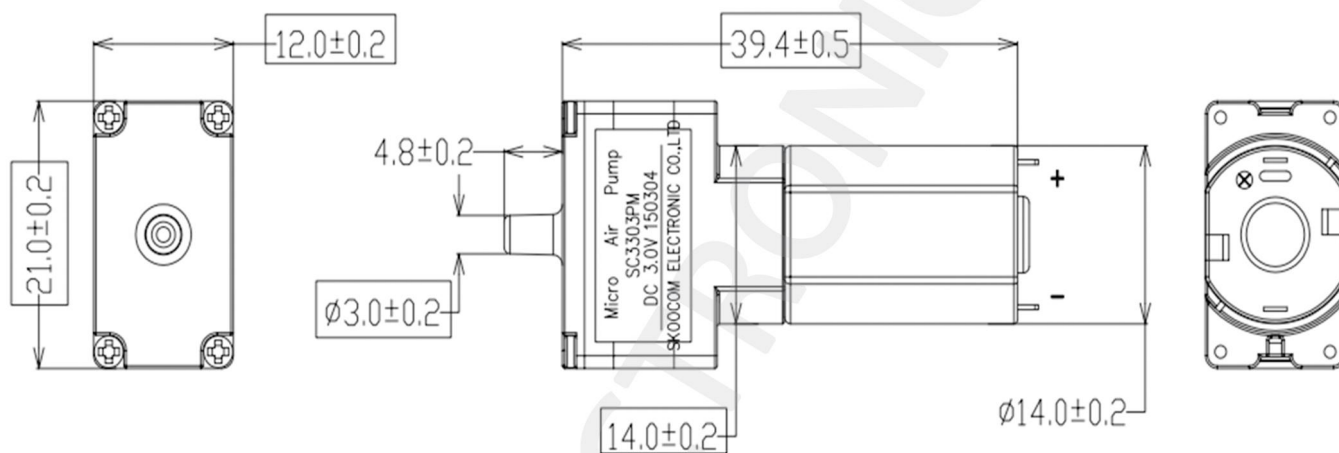
旧版型号: SC3303PM



Application

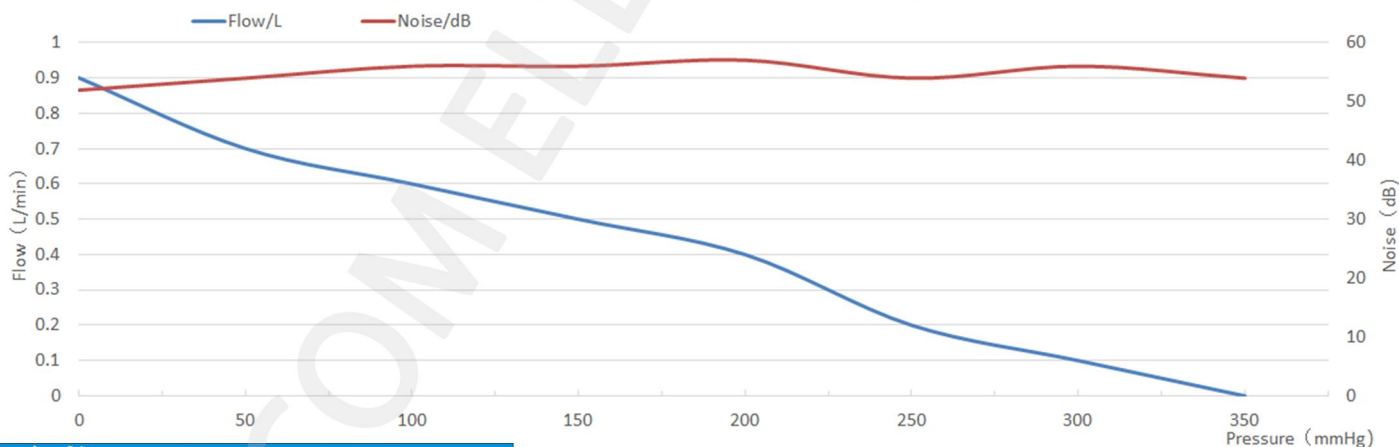
Blood Pressure Tester/Massage/
Air sampler/Eye therapeutic apparatus etc

产品尺寸 Dimension:



性能曲线图 Performance curve:

性能曲线图 Performance curve:流量和噪音变化



产品参数 Parameter:

Specification 产品规格	
额定电压 Rated voltage	DC3.0V DC6.0V
额定电流 Rated current	300mA <200mA
充气时间 Inflation time	<10s (From 0 to 300mmHg in a 500CC tank)
气密性 Leakage	<3mmHg/min from 300mmHg in a 500CC tank
气流量 Air flow	>0.7L/min
最大压力 Pressure	>350mmHg
噪音 Noise	<62dB (30 cm away)
使用流体 Medium	Air
寿命试验 Lifetime test	30,000 cycles (10s on, 2s off, 5s exhaust)
使用环境 Working environment	0~50 °C, 75% RH

型号 Model: SC1204XPM

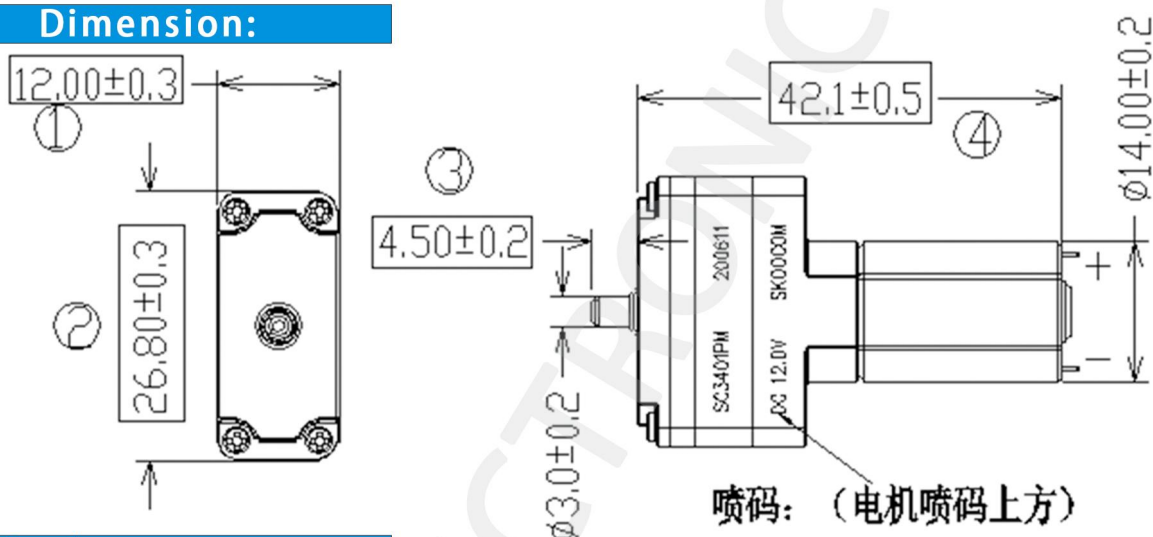
旧版型号: SC3401PM



Application

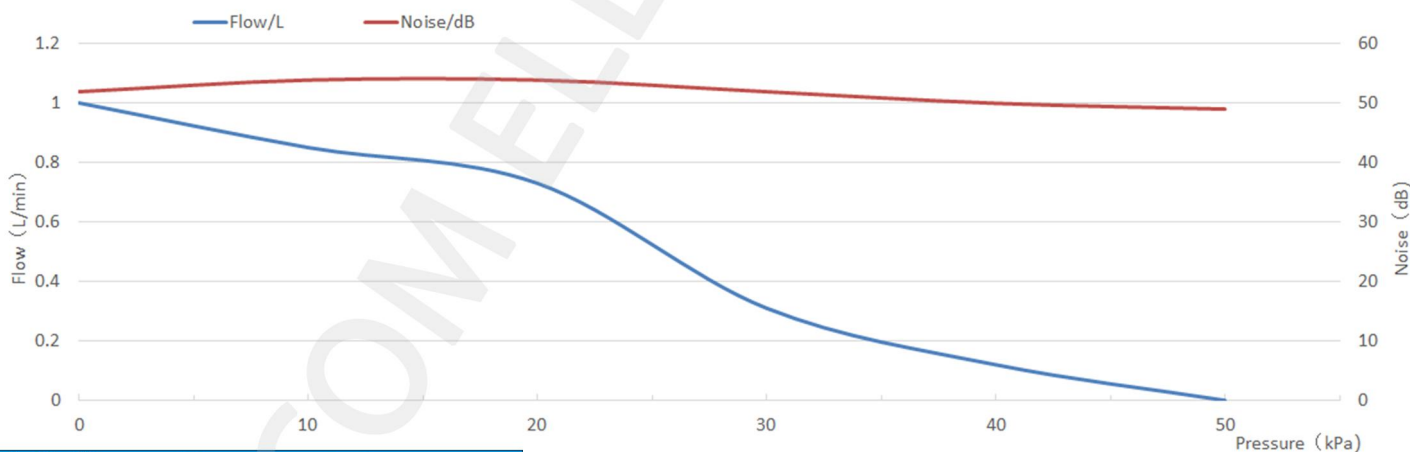
Massage machine/
Blood Pressure Tester/Air sampler etc

产品尺寸 Dimension:



性能曲线图 Performance curve:

性能曲线图 Performance curve:流量和噪音变化



产品参数 Parameter:

Specification 产品规格

额定电压	Rated voltage	DC3.0V	DC6.0V	DC12.0V
额定电流	Rated current	<320mA	<200mA	<200mA
充气时间	Inflation time	<10S (From 0 to 300mmHg in a 100cc tank)		
气密性	Leakage	<3mmHg/min from 300mmHg at 100cc tank		
气流量	Air flow	>0.7L/min		
压力	Pressure	<46kPa		
噪音	Noise	<60dB (30 cm away)		
使用流体	Medium	Air		
寿命试验	Lifetime test	80,000 cycle (10s on, 7s off)		
使用环境	Working environment	0~50 °C, 75% RH		

型号 Model: SC1301XPM

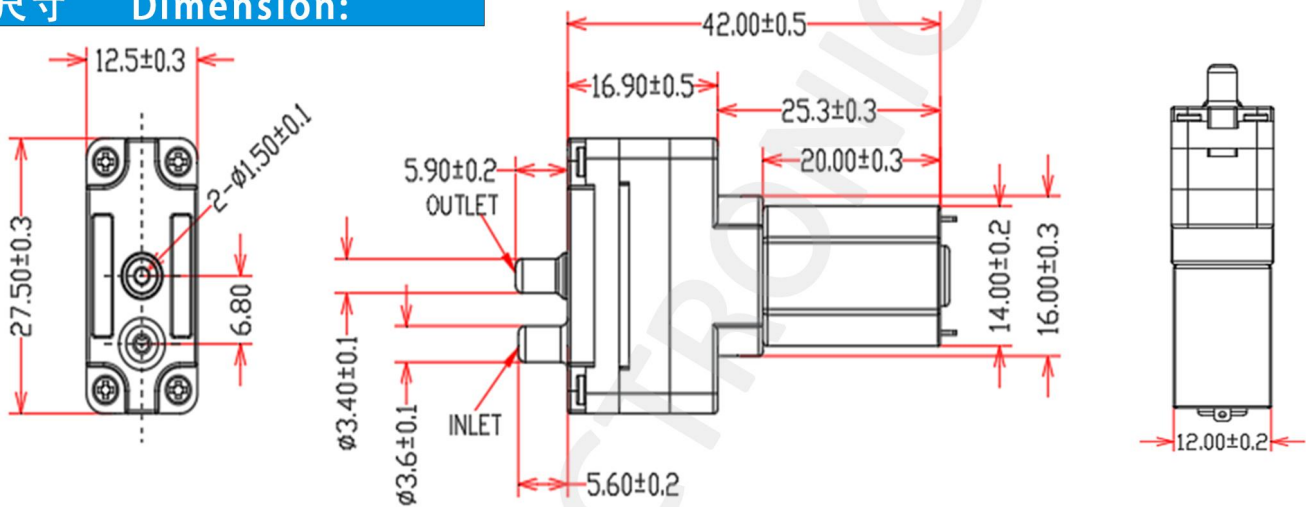
旧版型号: SC3403PM



Application

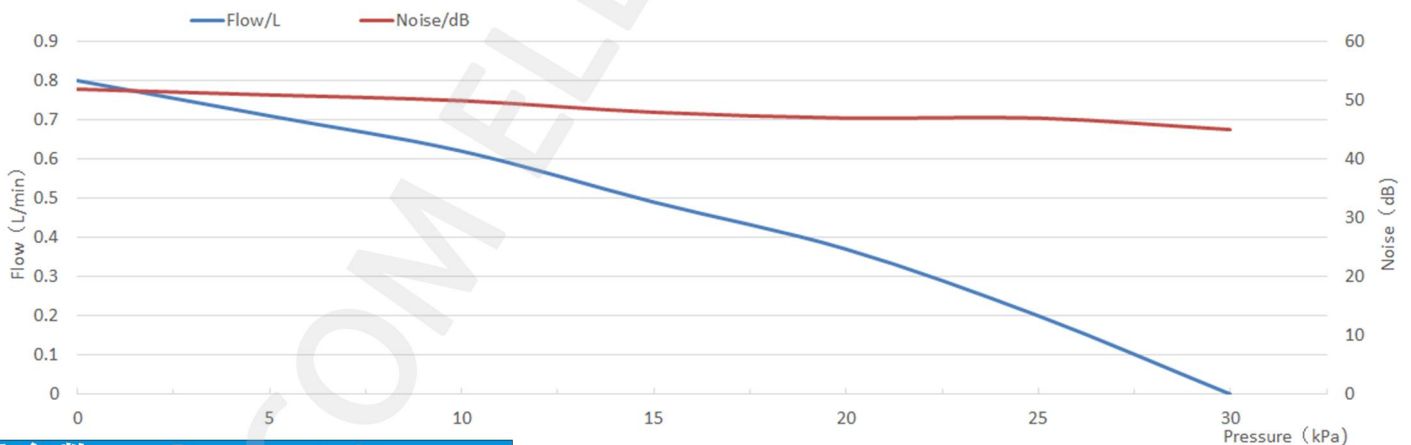
Cosmetic Instrument/
Blood Pressure Tester/Air sampler etc

产品尺寸 Dimension:



性能曲线图 Performance curve:

性能曲线图 Performance curve:流量和噪音变化



产品参数 Parameter:

Specification 产品规格				
额定电压	Rated voltage	DC3.0V	DC6.0V	DC12.0V
额定电流	Rated current	<500mA	<350mA	<150mA
充气时间	Inflation time	<10S (From 0 to 300mmHg in a 500cc tank)		
气密性	Leakage	<3mmHg/min from 300mmHg at 500cc tank		
气流量	Air flow	>0.7L/min		
压力	Pressure	>26kPa		
噪音	Noise	<65dB (30 cm away)		
使用流体	Medium	Air		
寿命试验	Lifetime test	100,000 cycle (10s on, 7s off)		
使用环境	Working environment	0~50 °C, 75% RH		

型号 Model: SC1301XPV

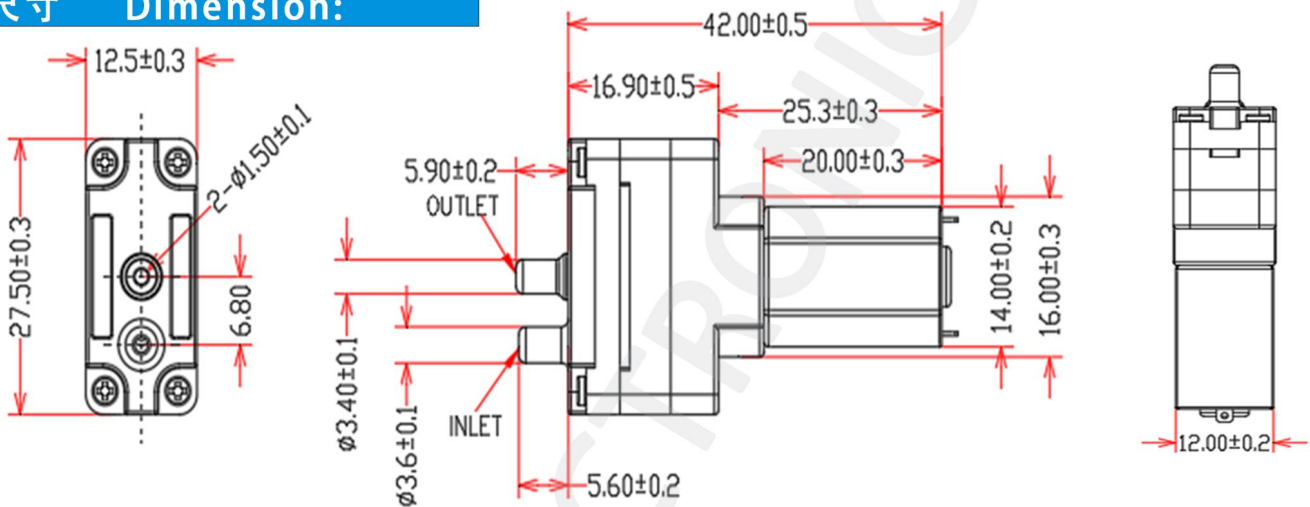
旧版型号: SC3403PM



Application

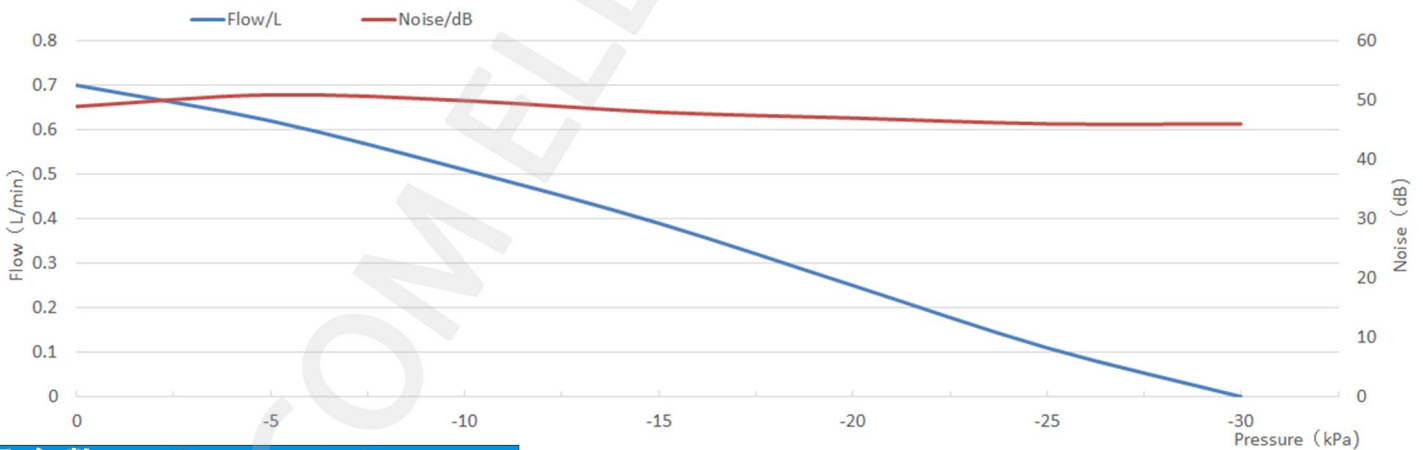
Cosmetic Instrument/
Blood Pressure Tester/Air sampler etc

产品尺寸 Dimension:



性能曲线图 Performance curve:

性能曲线图 Performance curve:流量和噪音变化



产品参数 Parameter:

		Specification 产品规格		
额定电压	Rated voltage	DC3.0V	DC6.0V	DC12.0V
额定电流	Rated current	<500mA	<350mA	<150mA
气流量	Air flow	>0.7L/min		
真空	Vacuum	<-26kPa		
噪音	Noise	<55dB (30 cm away)		
使用流体	Medium	Air		
寿命试验	Lifetime test	100,000 cycle (10s on, 7s off)		
使用环境	Working environment	0~50 °C, 75% RH		

型号 Model: SC1801PPM

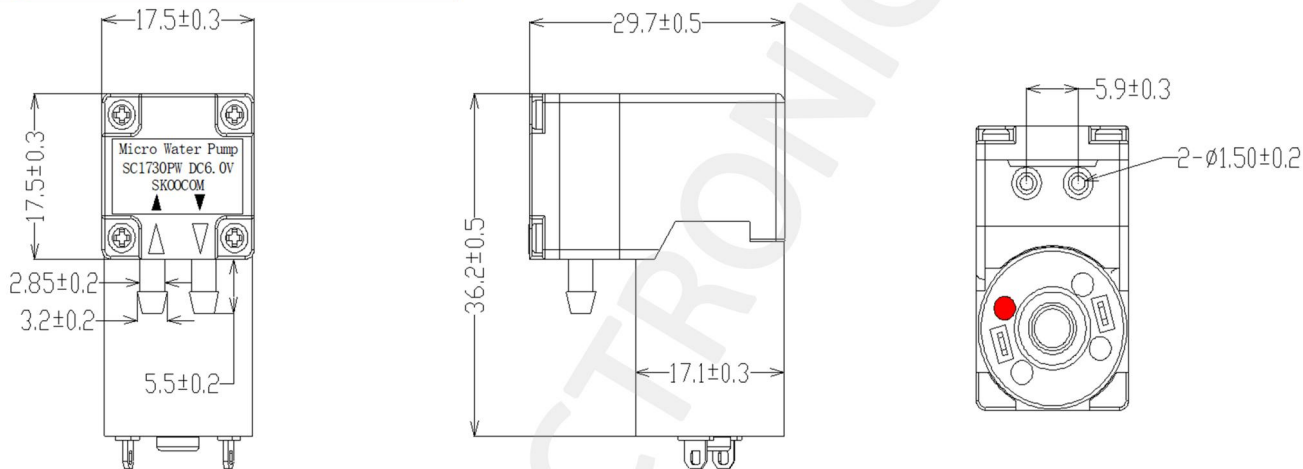
旧版型号: SC1730PM



Application

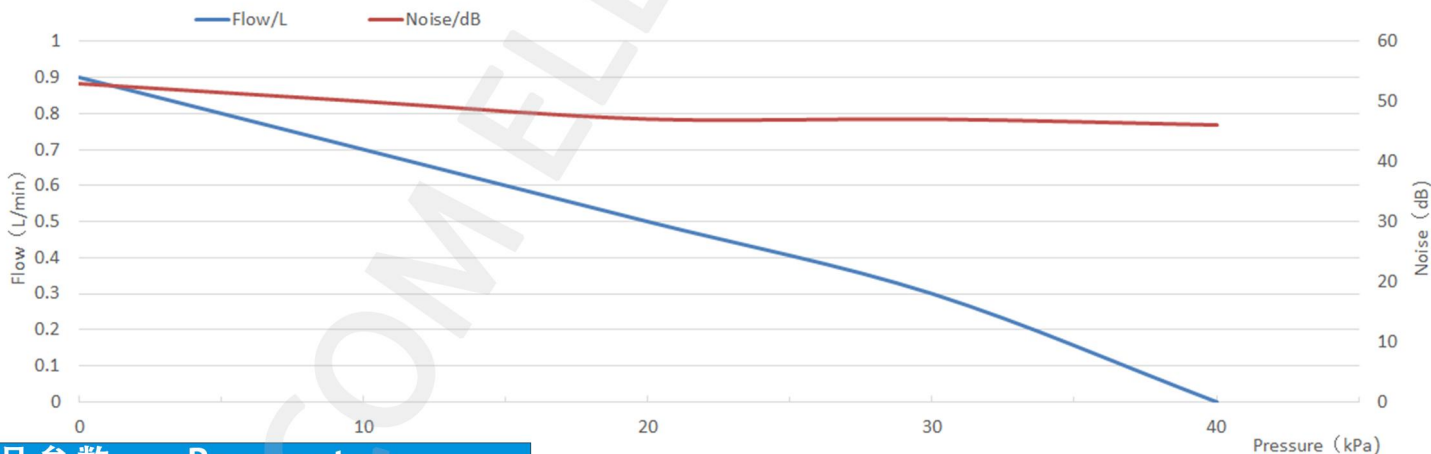
Cosmetic Instrument/Blood Pressure Tester/
Massage machine/Aroma diffuser etc

产品尺寸 Dimension:



性能曲线图 Performance curve:

性能曲线图 Performance curve:流量和噪音变化

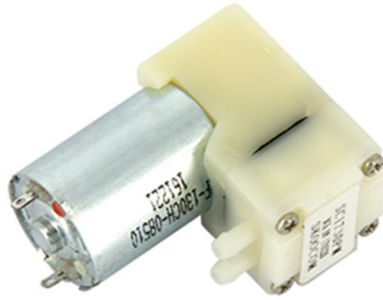


产品参数 Parameter:

Specification 产品规格		DC3.0V	DC6.0V	DC12.0V
额定电压	Rated voltage	DC3.0V	DC6.0V	DC12.0V
额定电流	Rated current	<200mA	<120mA	<80mA
气流量	Air flow	>0.7L/min		
压力	Pressure	>32kPa		
噪音	Noise	<60dB (30 cm away)		
使用流体	Medium	Air		
寿命试验	Lifetime test	50,000 cycle (10s on, 2s off, 5s exhaust)		
使用环境	Working environment	0~50 °C, 75% RH		

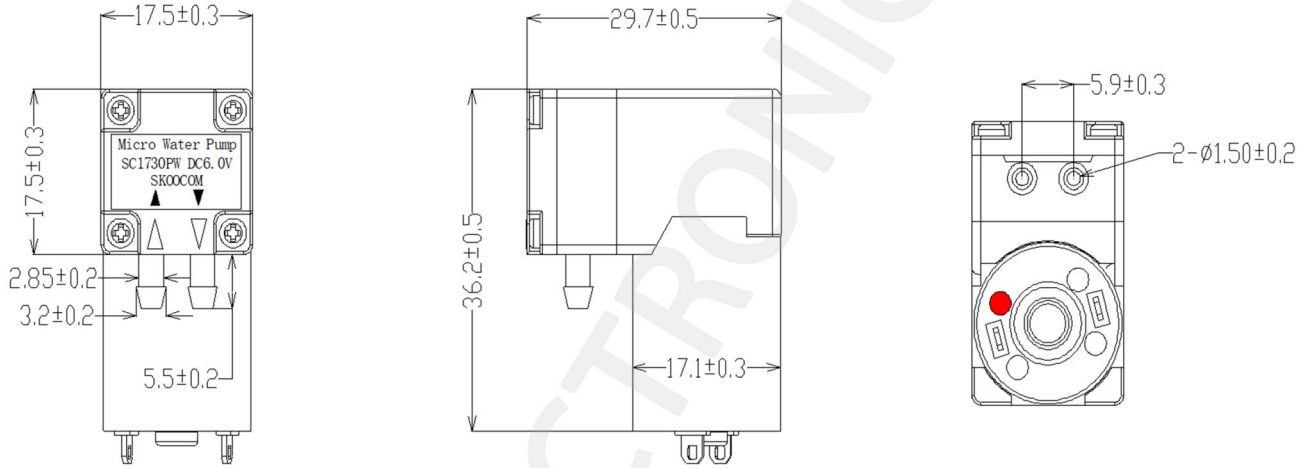
型号 Model: SC1801PPV

旧版型号: SC1730PM



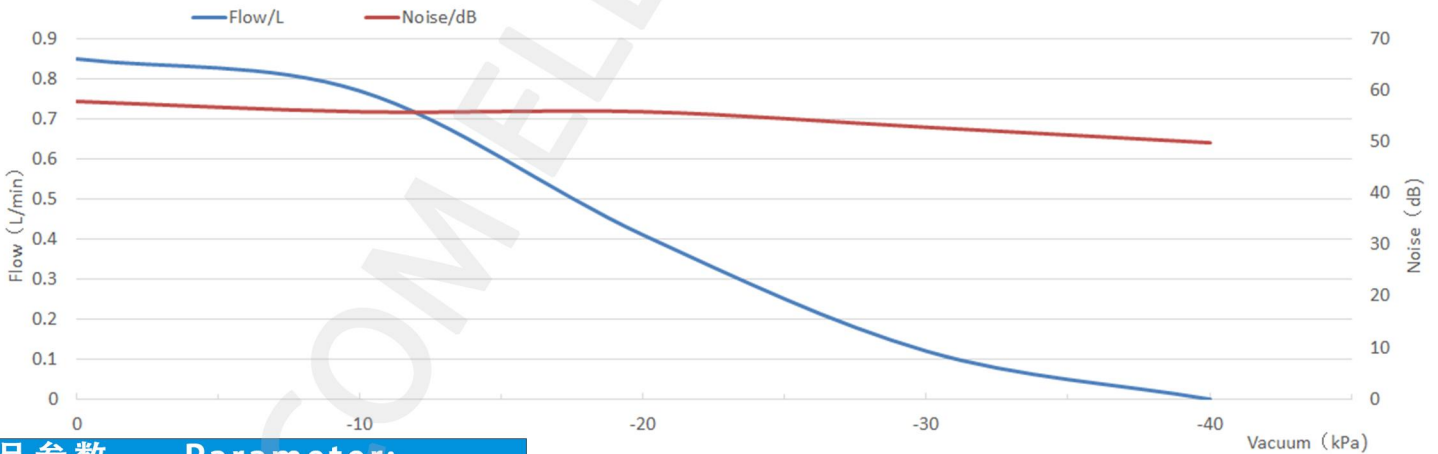
Application: Cosmetic Instrument/Blood Pressure Tester/ Massage machine/Aroma diffuser etc

产品尺寸 Dimension:



性能曲线图 Performance curve:

性能曲线图 Performance curve: 流量和噪音变化



产品参数 Parameter:

Specification 产品规格		DC3.0V	DC6.0V	DC12.0V
额定电压	Rated voltage	DC3.0V	DC6.0V	DC12.0V
额定电流	Rated current	<500mA	<350mA	<200mA
气流量	Air flow	>0.7L/min		
真空	Vacuum	<-32kPa		
噪音	Noise	<60dB (30 cm away)		
使用流体	Medium	Air		
寿命试验	Lifetime test	50,000 cycle (10s on, 2s off, 5s exhaust)		
使用环境	Working environment	0~50 °C, 75% RH		

型号 Model: SC1802PPV

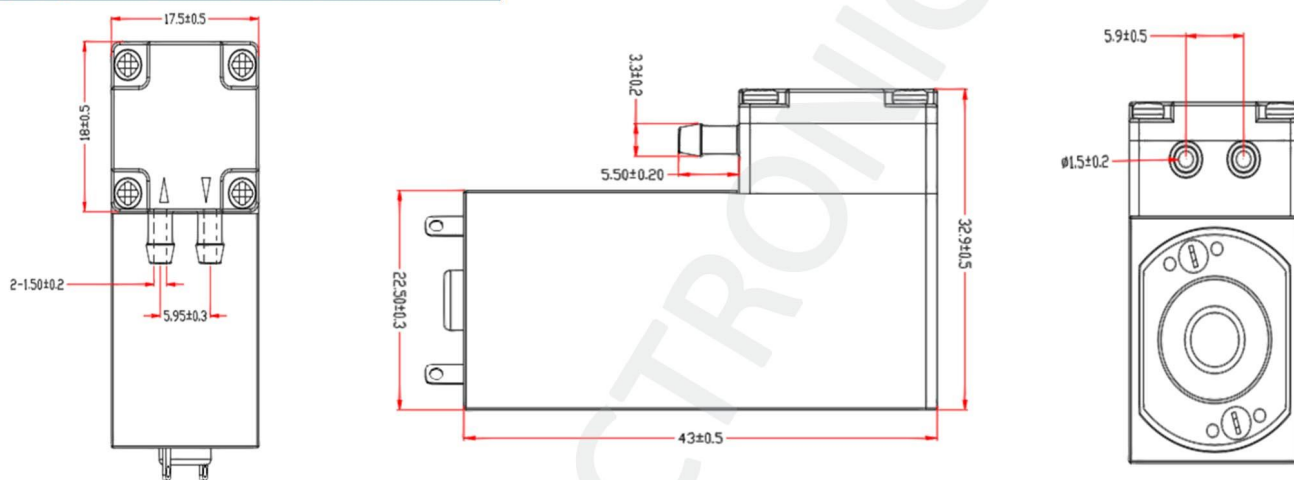
旧版型号: SC1731PM



Application

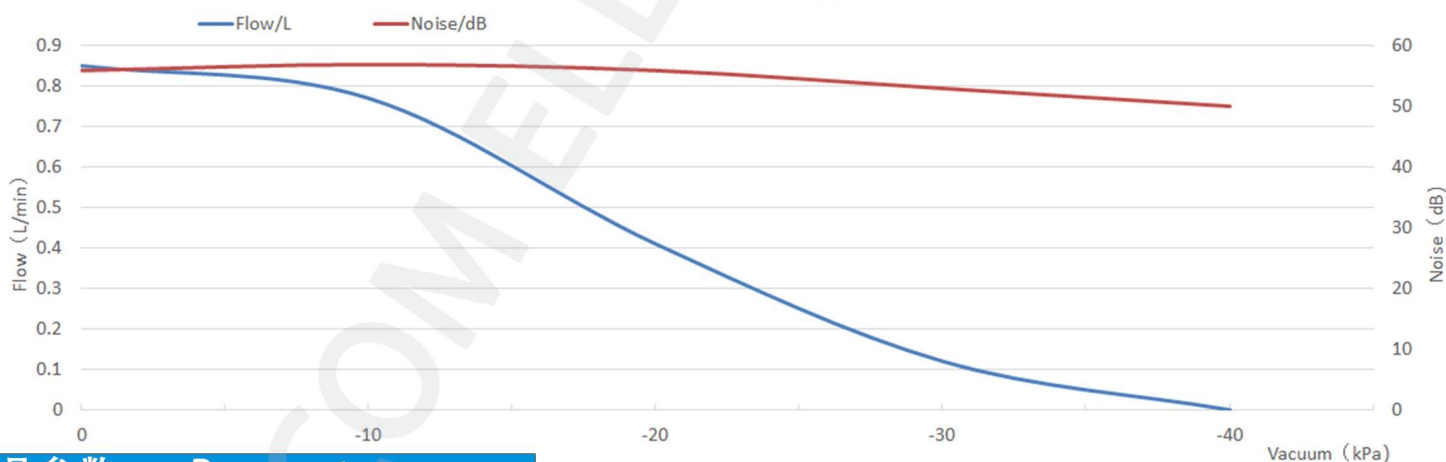
Blood Pressure Tester/Cosmetic Instrument/
Massage machine/Aroma diffuser etc

产品尺寸 Dimension:



性能曲线图 Performance curve:

性能曲线图 Performance curve:流量和噪音变化

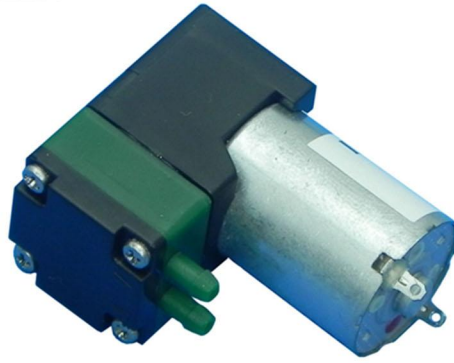


产品参数 Parameter:

		Specification 产品规格		
额定电压	Rated voltage	DC3.0V	DC6.0V	DC12.0V
额定电流	Rated current	<500mA	<350mA	<200mA
气流量	Air flow	>0.7L/min		
真空	Vacuum	<-32kPa		
噪音	Noise	<60dB (30 cm away)		
使用流体	Medium	Air		
寿命试验	Lifetime test	60,000 cycle (10s on, 7s off)		
使用环境	Working environment	0~50 °C, 75% RH		

型号 Model: SC1803PPV

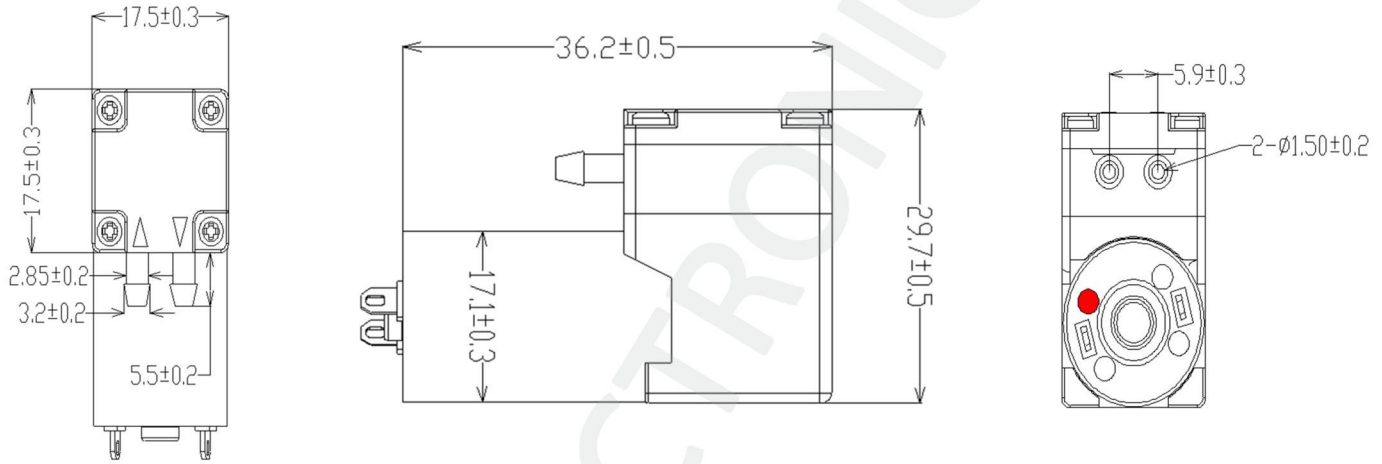
旧版型号: SC1732PM



Application

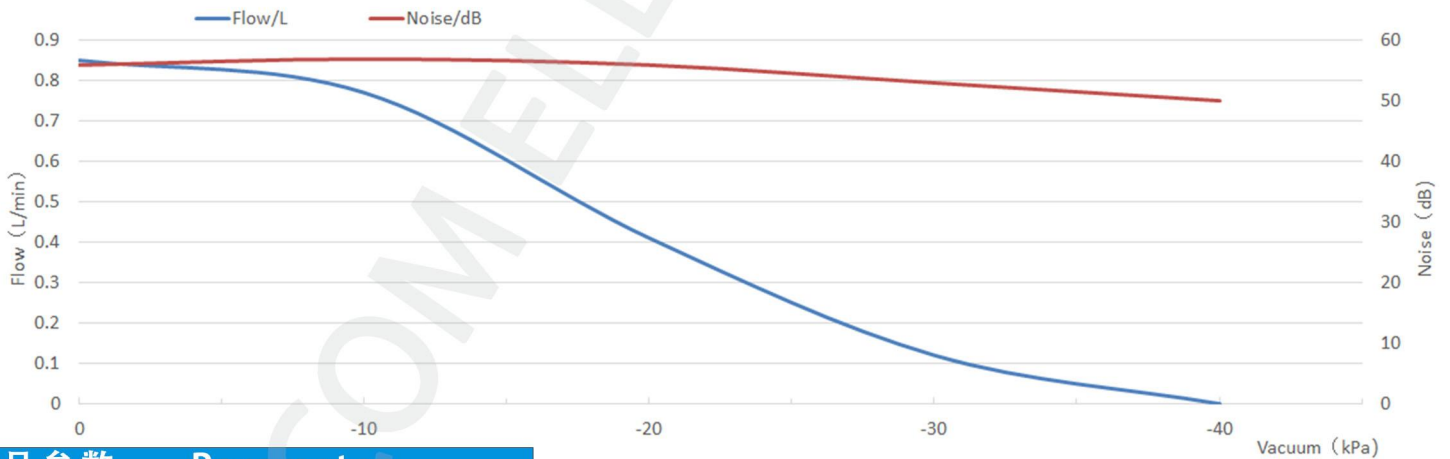
Cosmetic Instrument/Massage machine/
Blood Pressure Tester/Aroma diffuser etc

产品尺寸 Dimension:



性能曲线图 Performance curve:

性能曲线图 Performance curve:流量和噪音变化



产品参数 Parameter:

		Specification 产品规格		
额定电压	Rated voltage	DC3.0V	DC6V	DC12V
额定电流	Rated current	<500mA	<350mA	<200mA
气流量	Air flow	>0.7L/min		
真空	Vacuum	<-32kPa		
噪音	Noise	<60dB (30 cm away)		
使用流体	Medium	Air		
寿命试验	Lifetime test	60,000 cycle (10s on, 7s off)		
使用环境	Working environment	0~50 °C, 75% RH		

型号 Model: SC3501PPV

旧版型号: SC3002APM

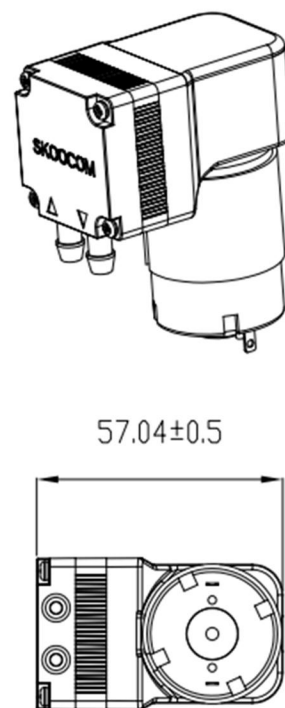
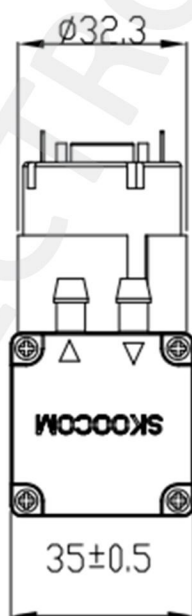
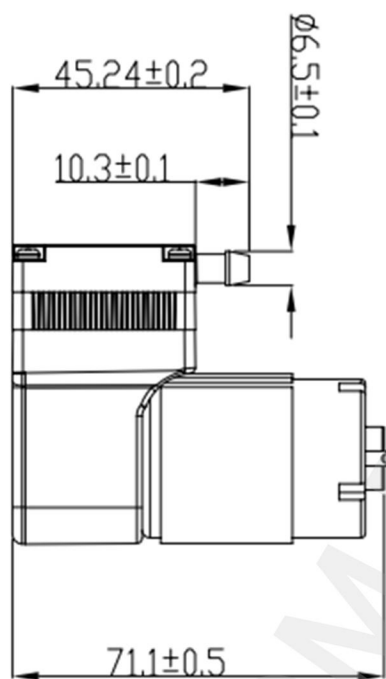


气泵
Air Pump

Application

Vacuum package machine etc.

产品尺寸 Dimension:



产品参数 Parameter:

Specification 产品规格		
额定电压	Rated voltage	DC6.0V
额定电流	Rated current	<150mA
气流量	Air flow	>7L/min
最大压力	Pressure	<-70kPa
噪音	Noise	<70dB (30 cm away)
使用流体	Medium	Air
寿命试验	Lifetime test	100,000cycles (5s on, 10s off)
使用环境	Working environment	0~50 °C, 75% RH

型号 Model: SC2001XPM

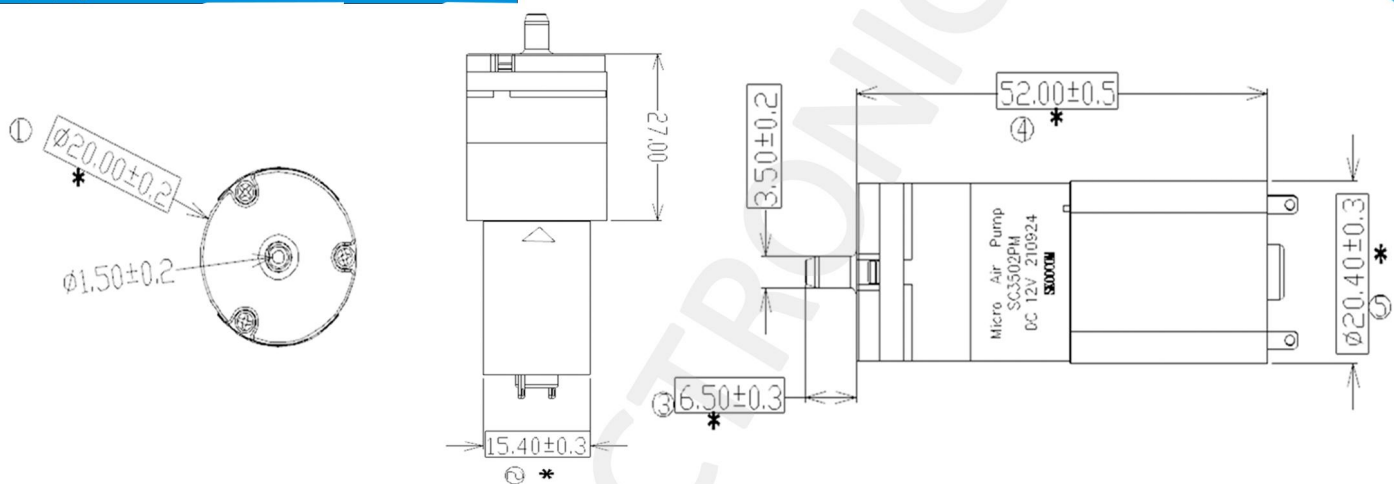
旧版型号: SC3502PM



Application

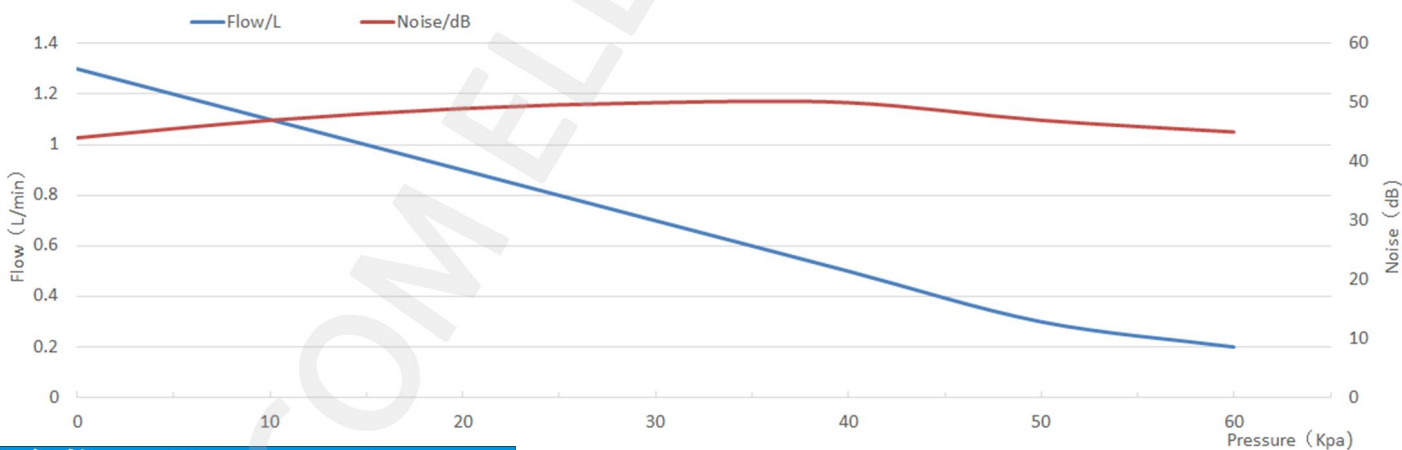
Massage machine/Cosmetic Instrument etc

产品尺寸 Dimension:



性能曲线图 Performance curve:

性能曲线图 Performance curve:流量和噪音变化



产品参数 Parameter:

		Specification 产品规格		
额定电压	Rated voltage	DC3.0V	DC6.0V	DC12.0V
额定电流	Rated current	<500mA	<300mA	<200mA
充气时间	Inflation time	<12s (From 0 to 300mmHg in a 500CC tank)		
气密性	Leakage	<3mmHg/min from 300mmHg in a 500CC tank		
气流量	Air flow	>1L/min		
压力	Pressure	>60Kpa		
噪音	Noise	<60dB (30 cm away)		
使用流体	Medium	Air		
寿命试验	Lifetime test	100,000 cycle (15s On, 2s off, 5s exhaust)		
使用环境	Working environment	0~50 °C, 75% RH		

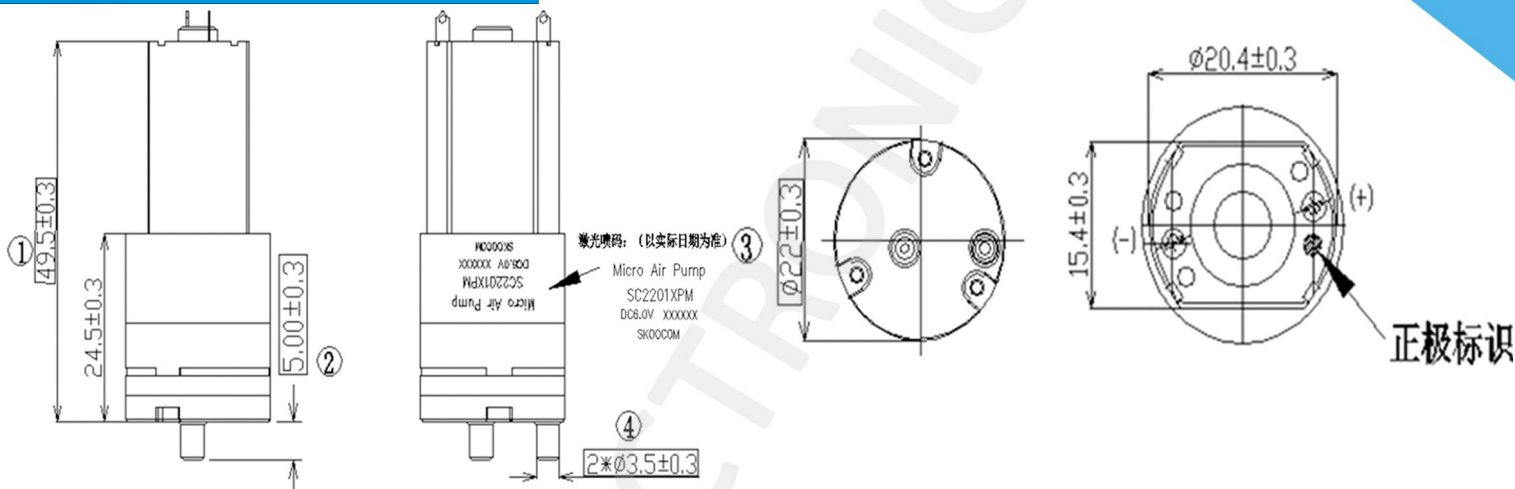
型号 Model: SC2201XPM

旧版型号: SC1804PM



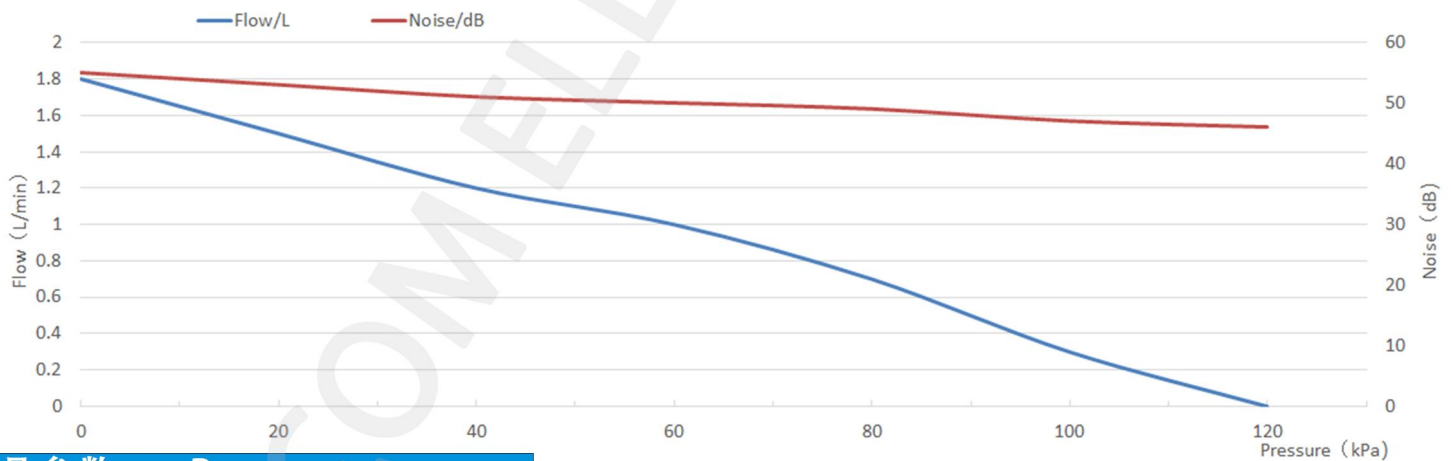
Application Wireless vacuum cleaner etc

产品尺寸 Dimension:



性能曲线图 Performance curve:

性能曲线图 Performance curve:流量和噪音变化



产品参数 Parameter:

Specification 产品规格					
额定电压	Rated voltage	DC3.0V	DC6.0V	DC12.0V	DC24.0V
额定电流	Rated current	<500mA	<400mA	<300mA	<200mA
气流量	Air flow	≥1L/min			
压力	Pressure	≥80kPa			
噪音	Noise	<65dB (30 cm away)			
使用流体	Medium	Air			
寿命试验	Lifetime test	4,000 cycles (3min on, 1min off)			
使用环境	Working environment	0~50 °C, 75% RH			

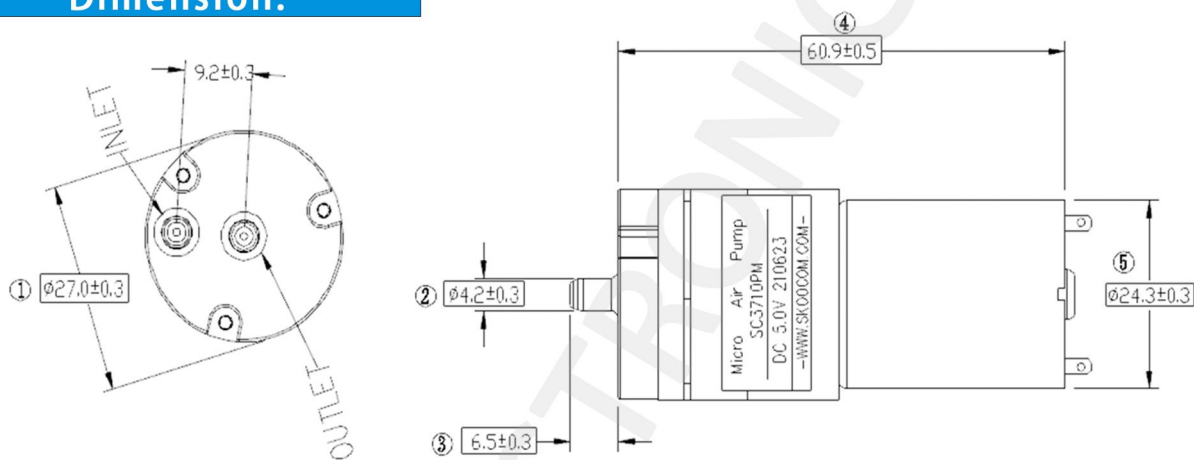
型号 Model: SC2710XPM

旧版型号: SC3710PM



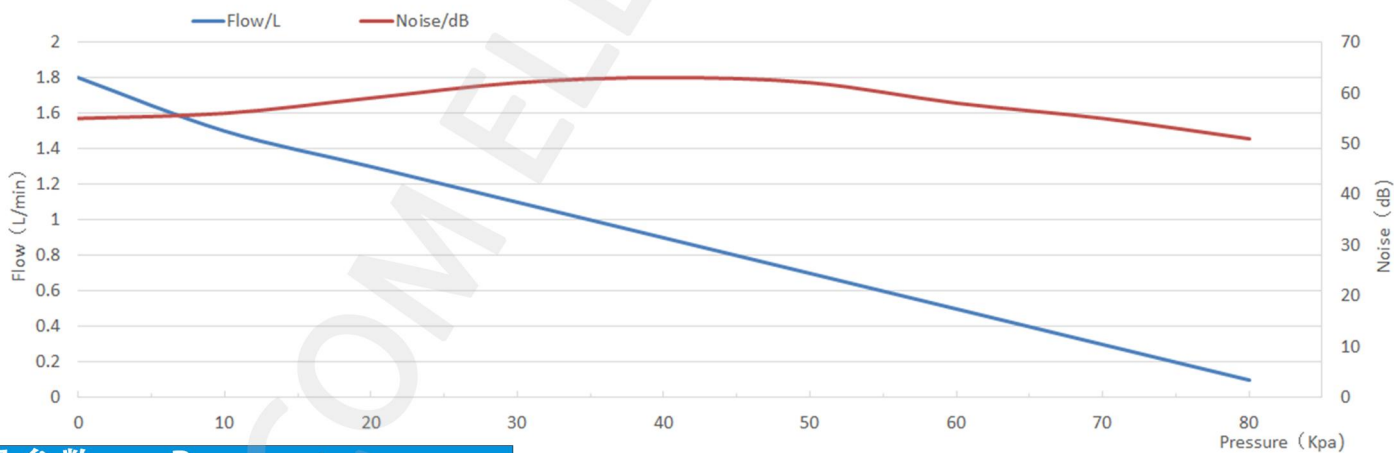
Application Breast Pump/Cosmetic Instrument etc

产品尺寸 Dimension:



性能曲线图 Performance curve:

性能曲线图 Performance curve:流量和噪音变化



产品参数 Parameter:

Specification 产品规格		DC3.0V	DC4.5V	DC6.0V	DC12.0V
额定电压	Rated voltage	DC3.0V	DC4.5V	DC6.0V	DC12.0V
额定电流	Rated current	<800mA	<600mA	<450mA	<300mA
充气时间	Inflation time	<15s (From 0 to 300mmHg in a 500CC tank)			
气密性	Leakage	<5mmHg/min from 300mmHg in a 500CC tank			
气流量	Air flow	>1.3L/min			
压力	Pressure	>80kPa			
噪音	Noise	<62dB (30 cm away)			
使用流体	Medium	Air			
寿命试验	Lifetime test	60,000 cycles (10s on, 2s off, 5s exhaust)			
使用环境	Working environment	0~50 °C, 75% RH			

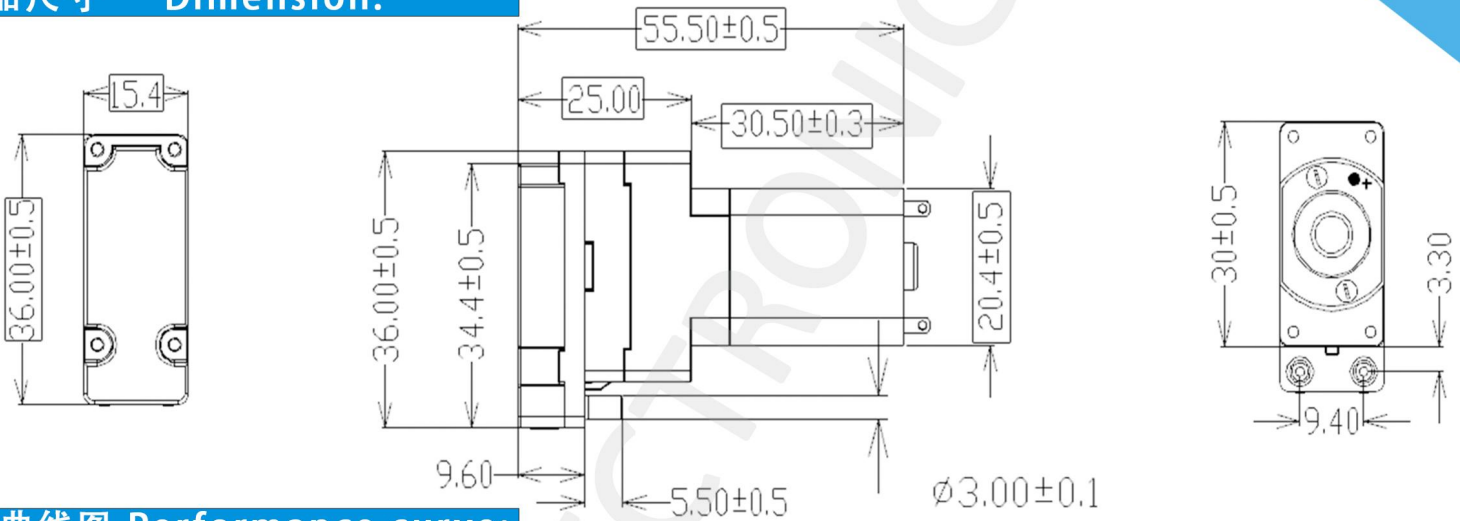
型号 Model: SC1501XPM

旧版型号: SC3501PM



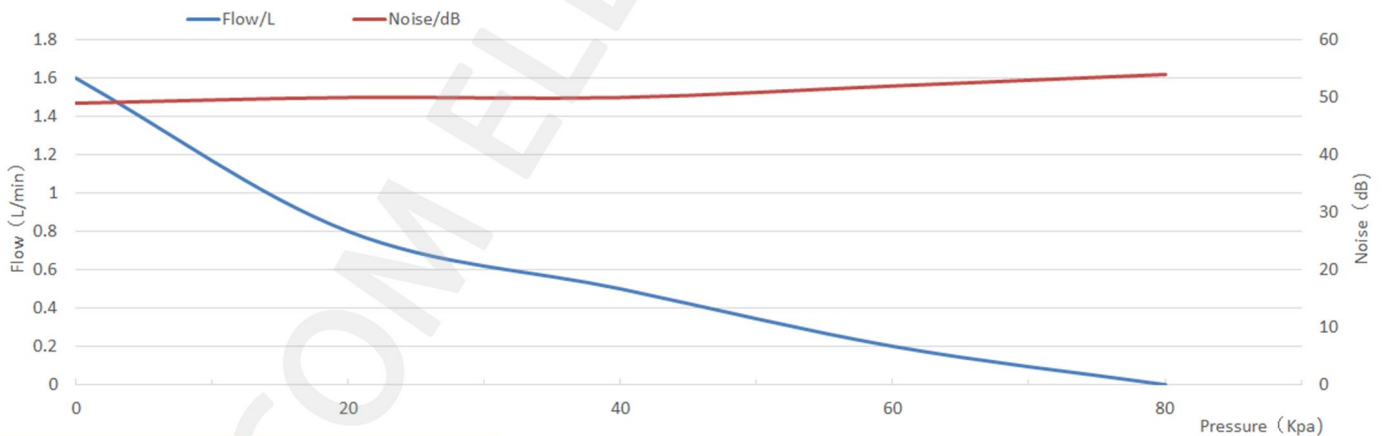
Application Blood Pressure Tester/Massage Machine/
Air sampler/Vacuum preservation machine etc

产品尺寸 Dimension:



性能曲线图 Performance curve:

性能曲线图 Performance curve:流量和噪音变化



产品参数 Parameter:

Specification 产品规格					
额定电压	Rated voltage	DC3.0V	DC6.0V	DC12.0V	DC24.0V
额定电流	Rated current	<850mA	<600mA	<400mA	<200mA
充气时间	Inflation time	<15s (From 0 to 300mmHg in a 500CC tank)			
气密性	Leakage	<3mmHg/min from 300mmHg in a 500CC tank			
气流量	Air flow	>1.5L/min			
压力	Pressure	>70kPa			
噪音	Noise	<65dB (30 cm away)			
使用流体	Medium	Air			
寿命试验	Lifetime test	50,000 cycles(12s on, 2s off)			
使用环境	Working environment	0~50 °C, 75% RH			

型号 Model: SC2704XPM

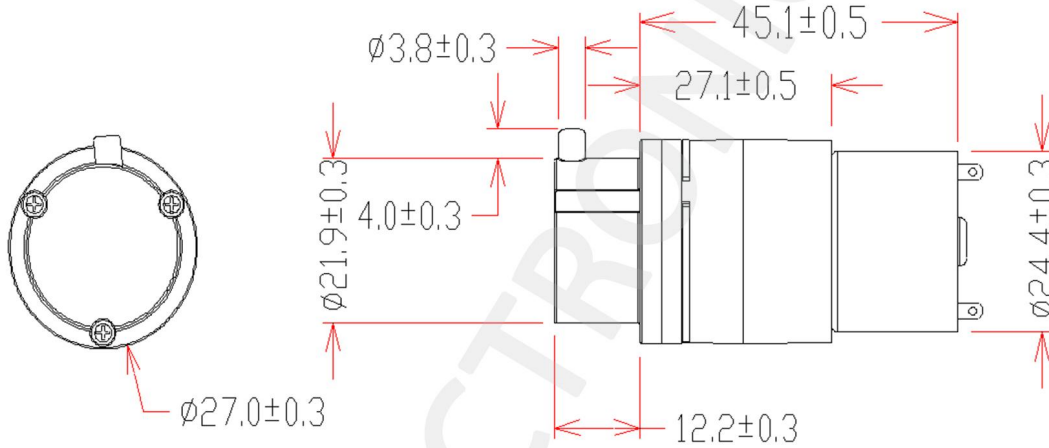
旧版型号: SC3706PM



Application

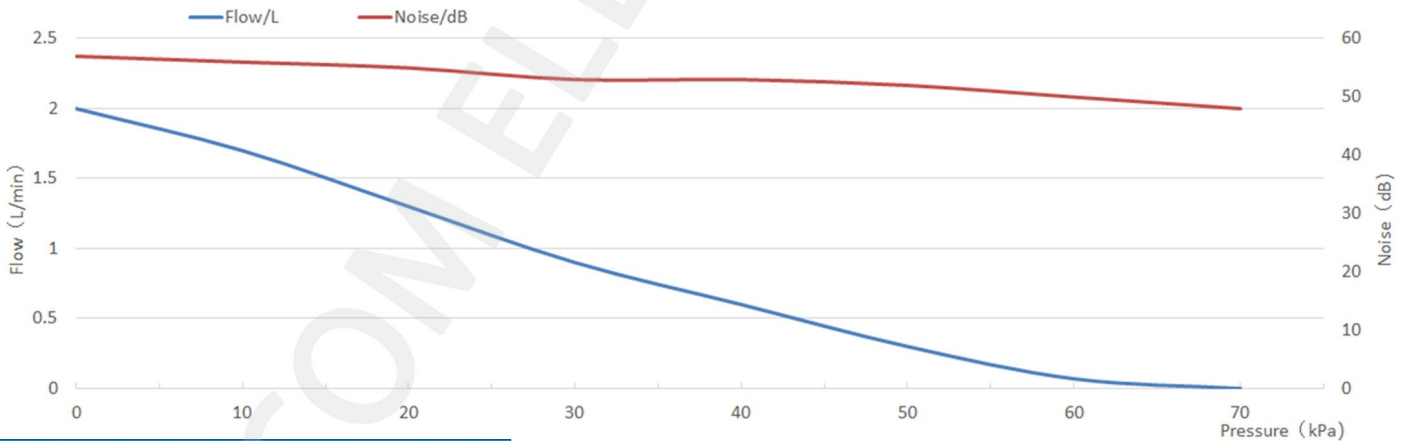
Massage machine etc

产品尺寸 Dimension:



性能曲线图 Performance curve:

性能曲线图 Performance curve:流量和噪音变化



产品参数 Parameter:

		Specification 产品规格		
额定电压	Rated voltage	DC6.0V	DC12.0V	DC24.0V
额定电流	Rated current	<430mA	<300mA	<150mA
充气时间	Inflation time	<15s (From 0 to 300mmHg in a 500CC tank)		
气密性	Leakage	<3mmHg/min from 300mmHg in a 500CC tank		
气流量	Air flow	>1.5L/min		
压力	Pressure	>68kPa		
噪音	Noise	<65dB (30 cm away)		
使用流体	Medium	Air		
寿命试验	Lifetime test	60,000 cycle (10s on, 2s off, 5s exhaust)		
使用环境	Working environment	0~50 °C, 75% RH		

型号 Model: SC2719XPM

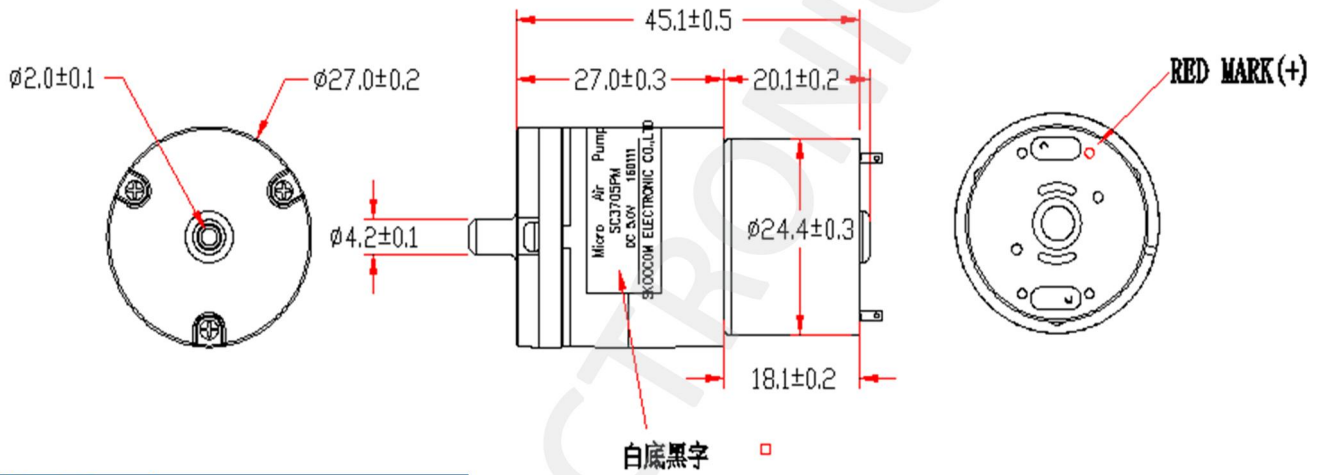
旧版型号: SC3705PM



Application

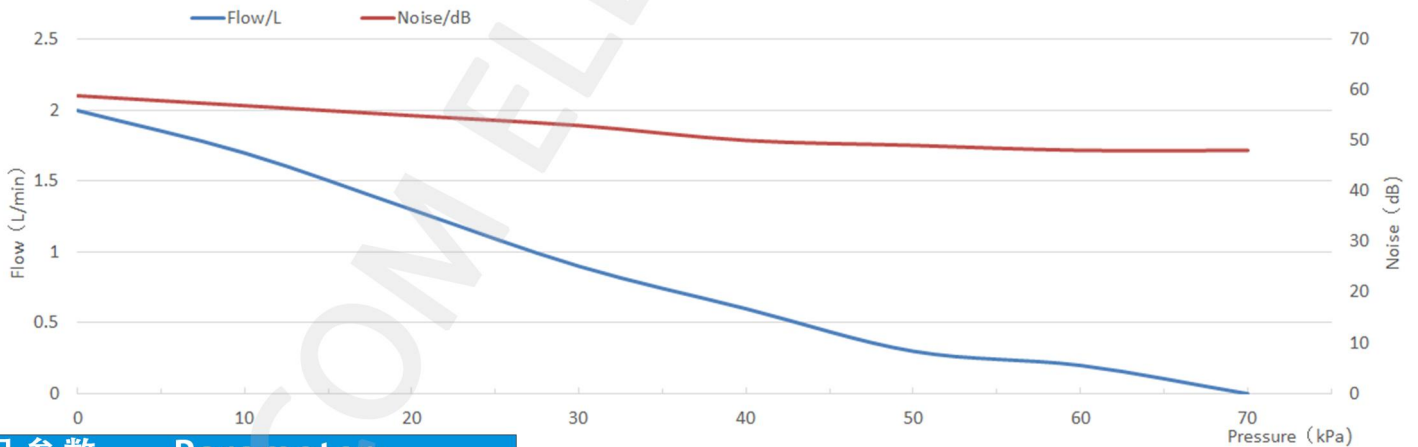
Massage machine/
Intelligent toilet/Aroma diffuser etc

产品尺寸 Dimension:



性能曲线图 Performance curve:

性能曲线图 Performance curve:流量和噪音变化



产品参数 Parameter:

		Specification 产品规格		
额定电压	Rated voltage	DC6.0V	DC12.0V	DC24.0V
额定电流	Rated current	<430mA	<300mA	<150mA
充气时间	Inflation time	<15s (From 0 to 300mmHg in a 500CC tank)		
气密性	Leakage	<3mmHg/min from 300mmHg in a 500CC tank		
气流量	Air flow	>1.5L/min		
压力	Pressure	>68kPa		
噪音	Noise	<65dB (30 cm away)		
使用流体	Medium	Air		
寿命试验	Lifetime test	60,000 cycle (10s on, 2s off, 5s exhaust)		
使用环境	Working environment	0~50 °C, 75% RH		

型号 Model: SC2724XPM

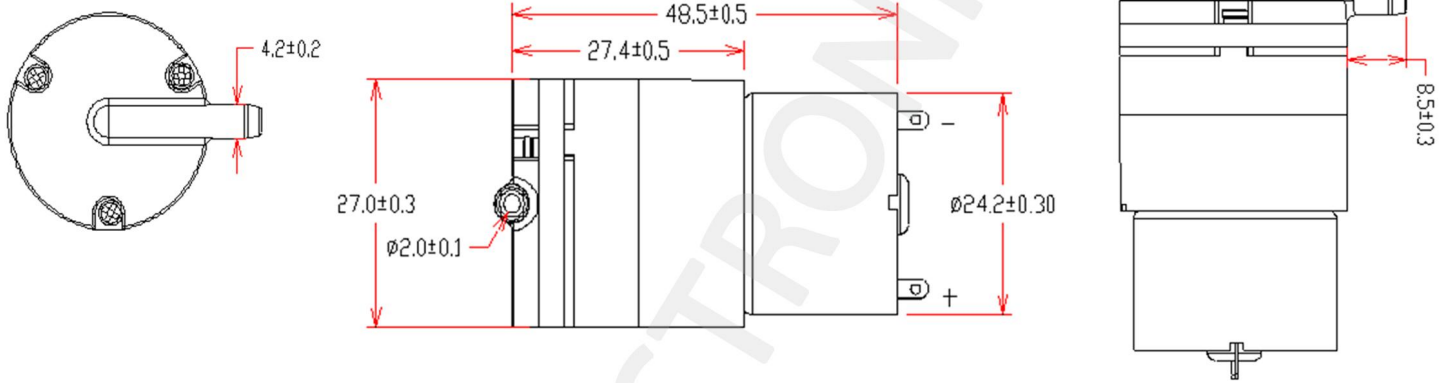
旧版型号: SC3716PM



Application

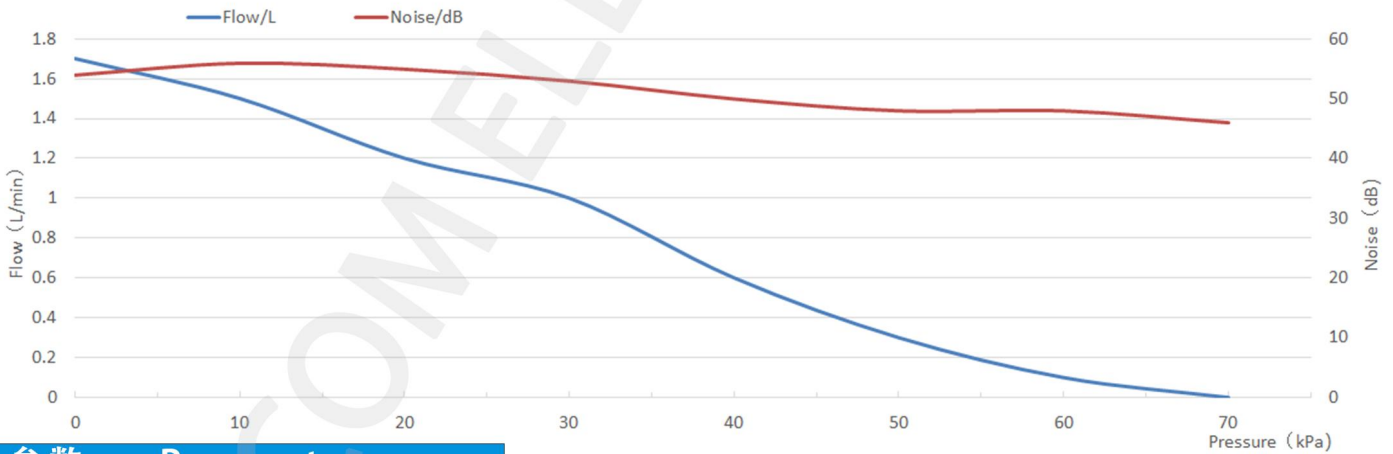
Massage Machine/
Coffee machine/Intelligent toilet etc

产品尺寸 Dimension:



性能曲线图 Performance curve:

性能曲线图 Performance curve:流量和噪音变化



产品参数 Parameter:

		Specification 产品规格		
额定电压	Rated voltage	DC6.0V	DC12.0V	DC24.0V
额定电流	Rated current	<430mA	<300mA	<150mA
充气时间	Inflation time	<15s (From 0 to 300mmHg in a 500CC tank)		
气密性	Leakage	<3mmHg/min from 300mmHg in a 500CC tank		
气流量	Air flow	>1.5L/min		
压力	Pressure	>68kPa		
噪音	Noise	<65dB (30 cm away)		
使用流体	Medium	Air		
寿命试验	Lifetime test	60,000 cycles (10s on, 2s off, 5s exhaust)		
使用环境	Working environment	0~50 °C, 75% RH		

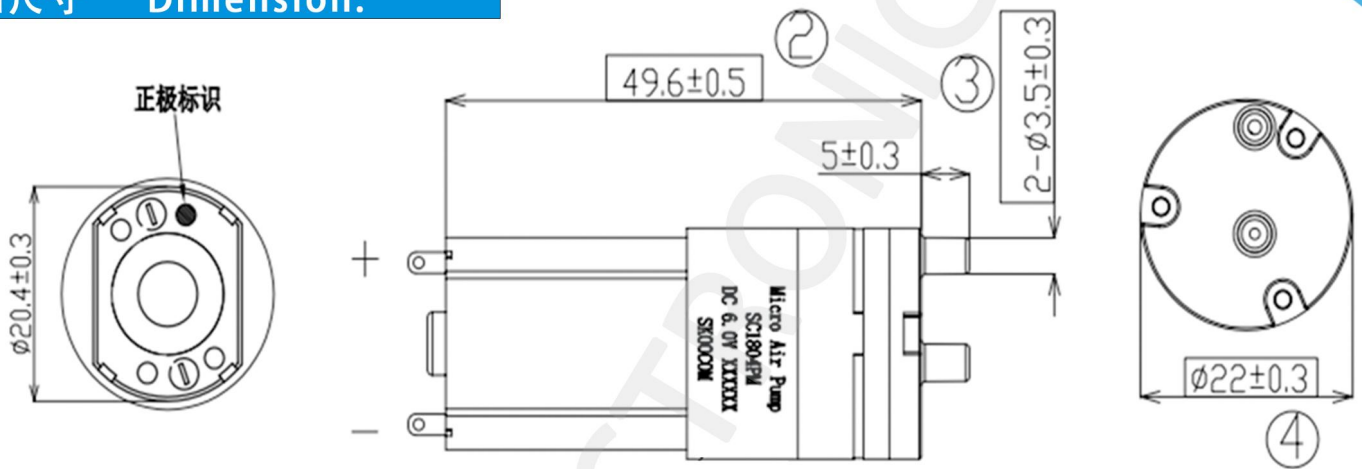
型号 Model: SC2201XPV

旧版型号: SC1804PM



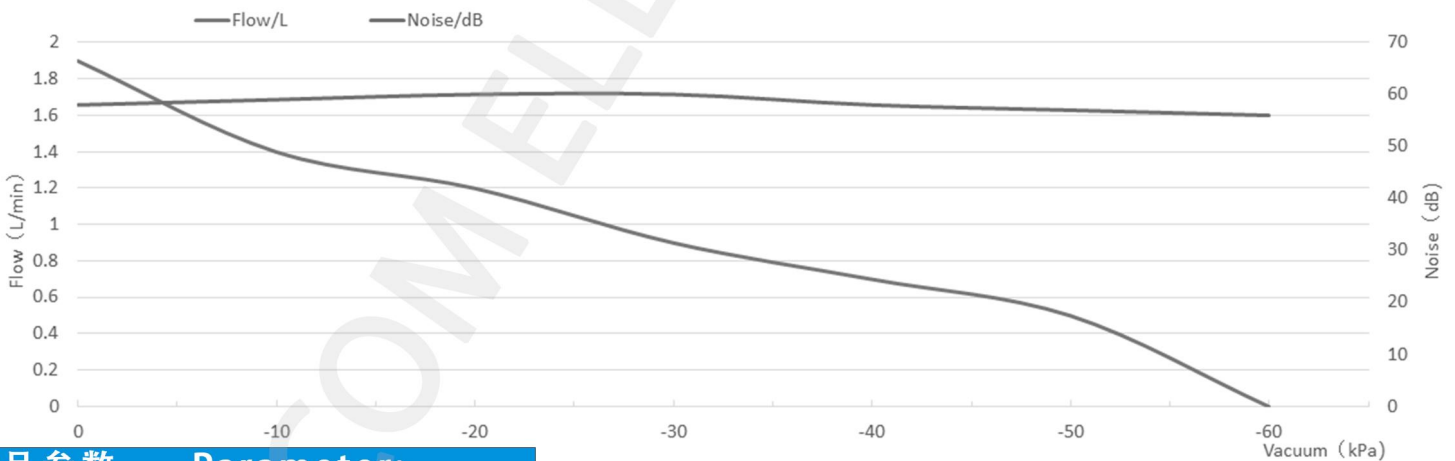
Application Wireless vacuum cleaner etc

产品尺寸 Dimension:



性能曲线图 Performance curve:

性能曲线图 Performance curve:流量和噪音变化



产品参数 Parameter:

Specification 产品规格			
额定电压	Rated voltage	DC3.7V	DC6.0V
额定电流	Rated current	<430mA	<300mA
气流量	Air flow	>1.6L/min	
真空	Vacuum	<-56kPa	
噪音	Noise	<65dB (30 cm away)	
使用流体	Medium	Air	
寿命试验	Lifetime test	400 cycle (30min on, 10min off)	
使用环境	Working environment	0~50 °C, 75% RH	

型号 Model: SC2709XPM

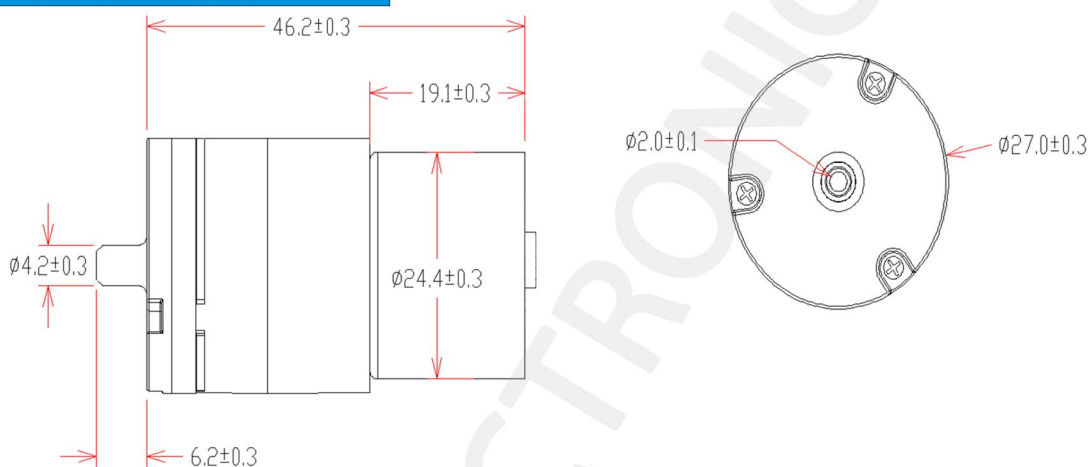
旧版型号: SC3709PM



Application

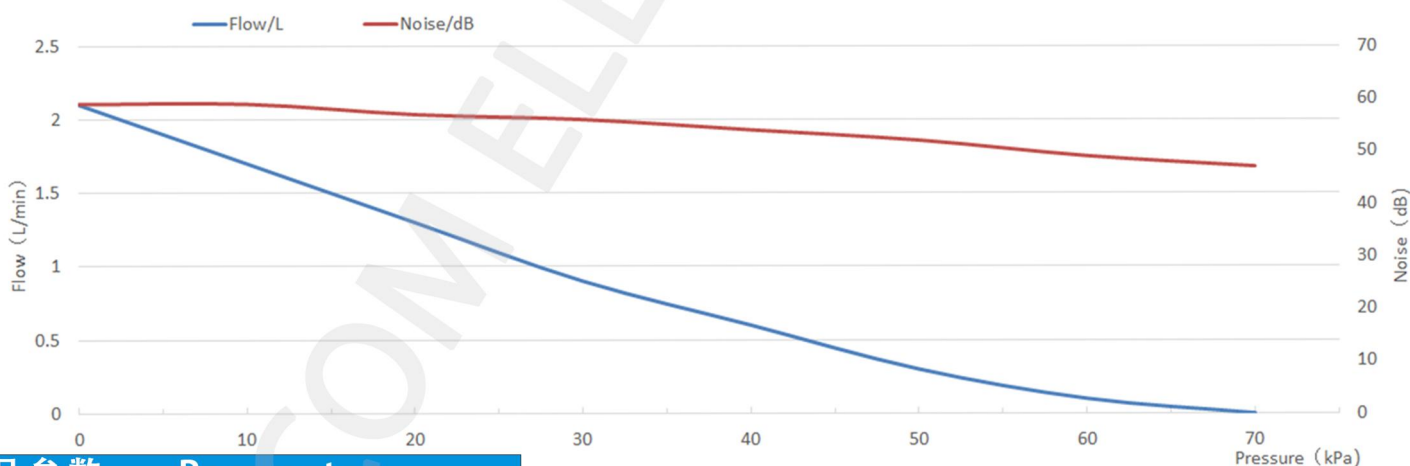
Massage machine/
Intelligent toilet/Aroma diffuser etc

产品尺寸 Dimension:



性能曲线图 Performance curve:

性能曲线图 Performance curve:流量和噪音变化

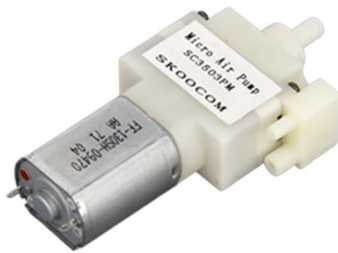


产品参数 Parameter:

Specification 产品规格		
额定电压	Rated voltage	DC12.0V
额定电流	Rated current	<300mA
充气时间	Inflation time	<15s (From 0 to 300mmHg in a 500CC tank)
气密性	Leakage	<3mmHg/min from 300mmHg in a 500CC tank
气流量	Air flow	>1.6L/min
压力	Pressure	>68kPa
噪音	Noise	<60dB (30 cm away)
使用流体	Medium	Air
寿命试验	Lifetime test	60,000 cycles (10s on, 2s off, 5s exhaust)
使用环境	Working environment	0~50 °C, 75% RH

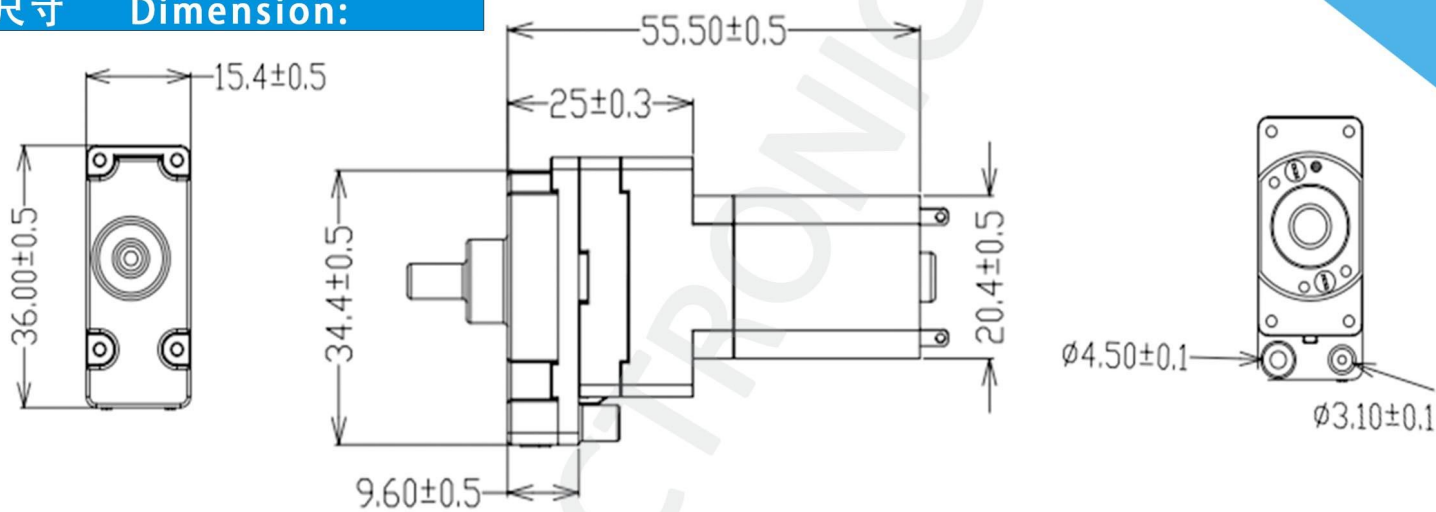
型号 Model: SC1503XPM

旧版型号: SC3503PM



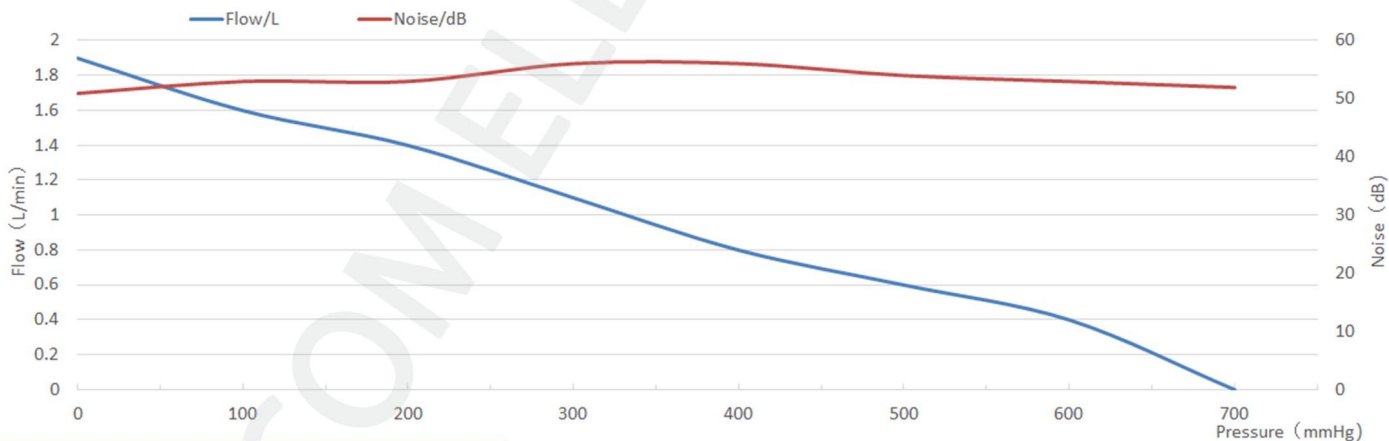
Application Nasal instrument/Dental instruments etc

产品尺寸 Dimension:



性能曲线图 Performance curve:

性能曲线图 Performance curve:流量和噪音变化



产品参数 Parameter:

Specification 产品规格		
额定电压	Rated voltage	DC6.0V
额定电流	Rated current	<430mA
充气时间	Inflation time	<15s (From 0 to 300mmHg in a 500CC tank)
气密性	Leakage	<3mmHg/min from 300mmHg in a 500CC tank
气流量	Air flow	>1.7L/min
最大压力	Pressure	>400mmHg
噪音	Noise	<65dB (30 cm away)
使用流体	Medium	Air
寿命试验	Lifetime test	30,000 cycles (10s on, 2s off, 5s exhaust)
使用环境	Working environment	0~50 °C, 75% RH

型号 Model: SC2701XPM

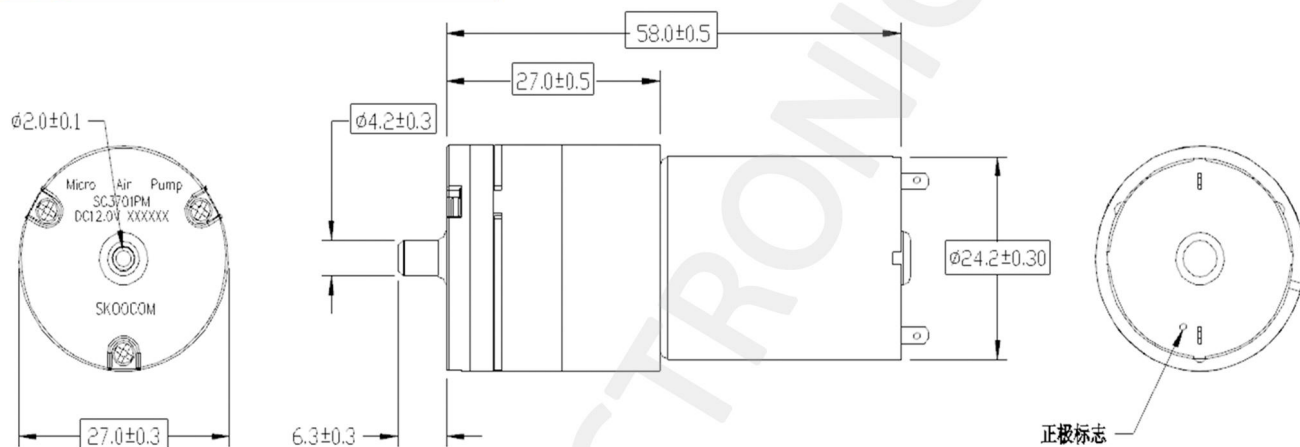
旧版型号: SC3701PM



Application

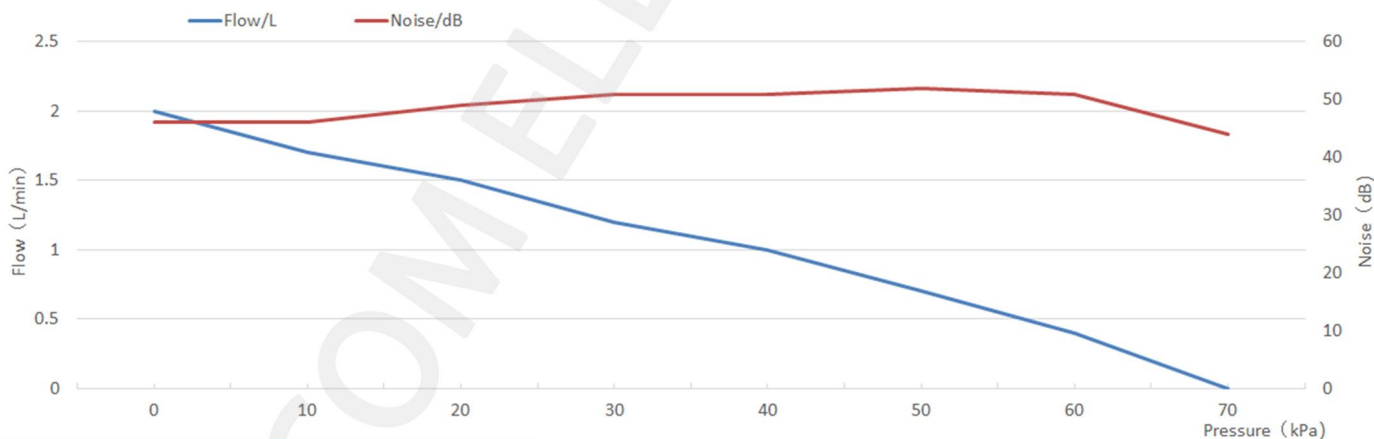
Massage Machine/Blood Pressure Tester /Coffee machine/Intelligent toilet etc

产品尺寸 Dimension:



性能曲线图 Performance curve:

性能曲线图 Performance curve:流量和噪音变化



产品参数 Parameter:

		Specification 产品规格			
额定电压	Rated voltage	DC3.0V	DC6.0V	DC12.0V	DC24.0V
额定电流	Rated current	<800mA	<650mA	<450mA	<300mA
充气时间	Inflation time	<10s (From 0 to 300mmHg in a 500CC tank)			
气密性	Leakage	<3mmHg/min from 300mmHg in a 500CC tank			
气流量	Air flow	>1.8L/min			
压力	Pressure	>60kPa			
噪音	Noise	<60dB (30 cm away)			
使用流体	Medium	Air			
寿命试验	Lifetime test	50,000 cycle (10s on, 2s off, 5s exhaust)			
使用环境	Working environment	0~50 °C, 75% RH			

型号 Model: SC2702XPM

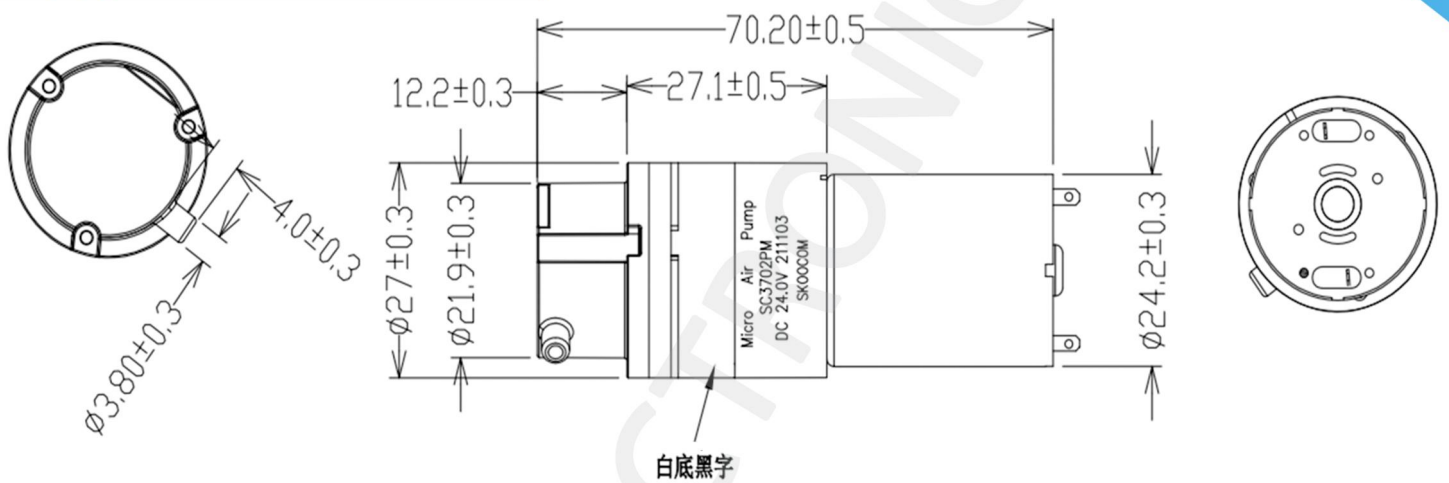
旧版型号: SC3702PM



Application

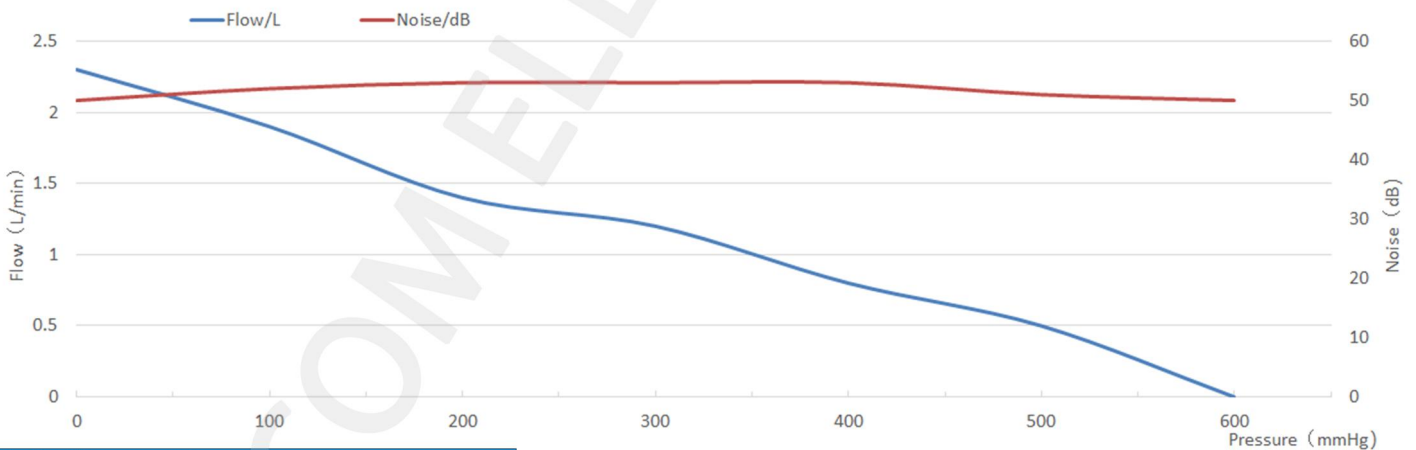
Massager etc

产品尺寸 Dimension:



性能曲线图 Performance curve:

性能曲线图 Performance curve: 流量和噪音变化



产品参数 Parameter:

		Specification 产品规格			
额定电压	Rated voltage	DC3.0V	DC4.5V	DC6.0V	DC12.0V
额定电流	Rated current	<700mA	<600mA	<350mA	<200mA
充气时间	Inflation time	<10s (From 0 to 300mmHg in a 500CC tank)			
气密性	Leakage	<3mmHg/min from 300mmHg in a 500CC tank			
气流量	Air flow	>1.8L/min			
压力	Pressure	>500mmHg			
噪音	Noise	<62dB (30 cm away)			
使用流体	Medium	Air			
寿命试验	Lifetime test	50,000 cycles (10s on, 2s off, 5s exhaust)			
使用环境	Working environment	0~50 °C, 75% RH			

型号 Model: SC2703XPM

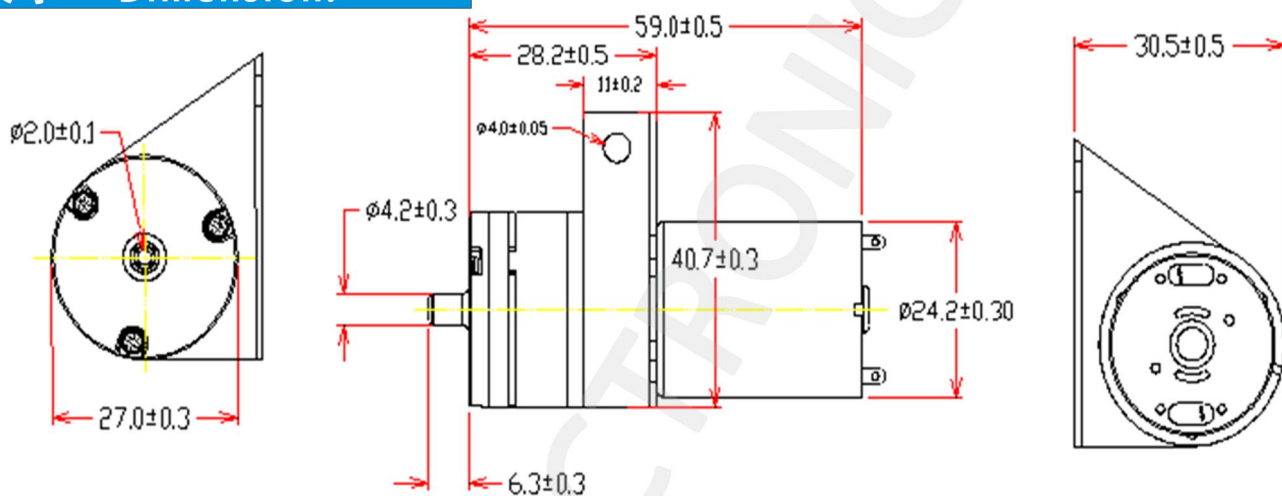
旧版型号: SC3703PM



Application

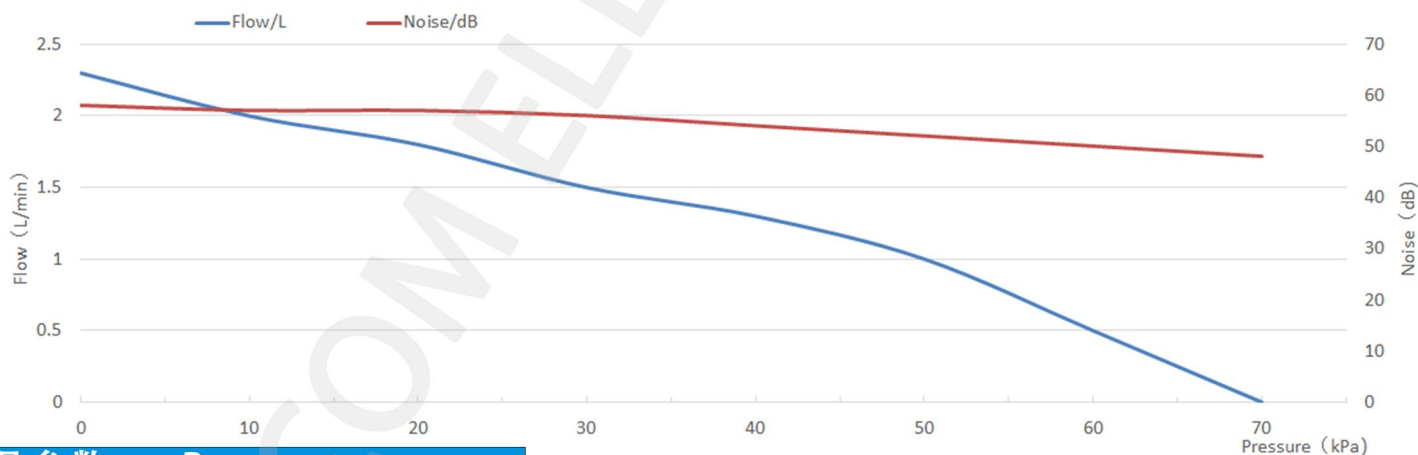
Massage machine/Coffee machine etc

产品尺寸 Dimension:



性能曲线图 Performance curve:

性能曲线图 Performance curve:流量和噪音变化



产品参数 Parameter:

		Specification 产品规格		
额定电压	Rated voltage	DC6.0V	DC12.0V	DC24.0V
额定电流	Rated current	<430mA	<300mA	<150mA
充气时间	Inflation time	<10s (From 0 to 300mmHg in a 500CC tank)		
气密性	Leakage	<3mmHg/min from 300mmHg in a 500CC tank		
气流量	Air flow	>1.8L/min		
压力	Pressure	>60kPa		
噪音	Noise	<65dB (30 cm away)		
使用流体	Medium	Air		
寿命试验	Lifetime test	60,000 cycle (10s on, 2s off, 5s exhaust)		
使用环境	Working environment	0~50 °C, 75% RH		

型号 Model: SC2706XPM

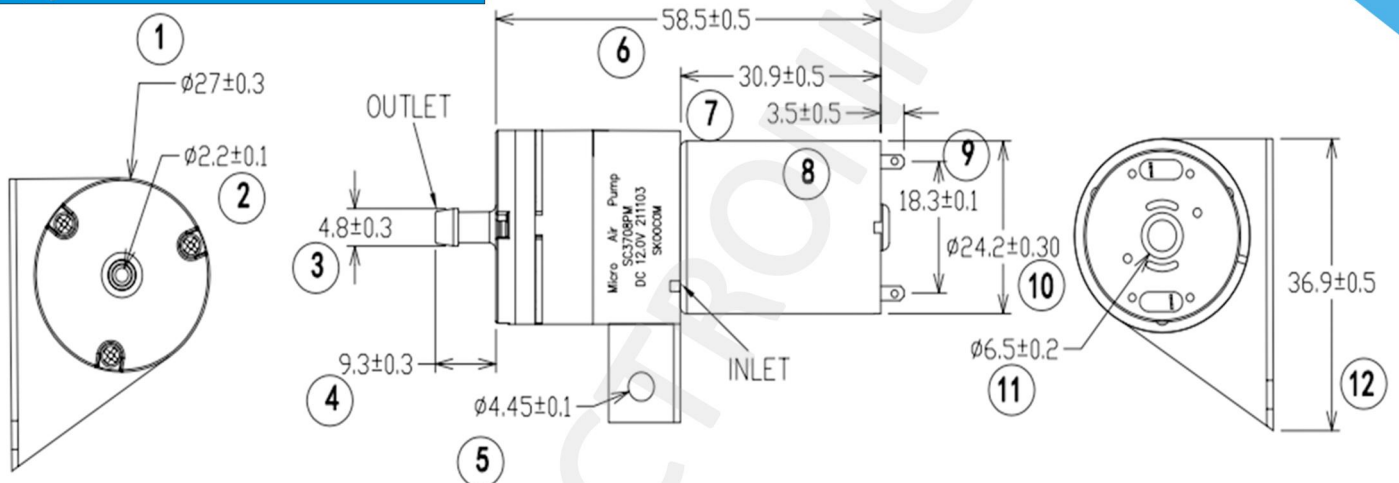
旧版型号: SC3708PM



Application

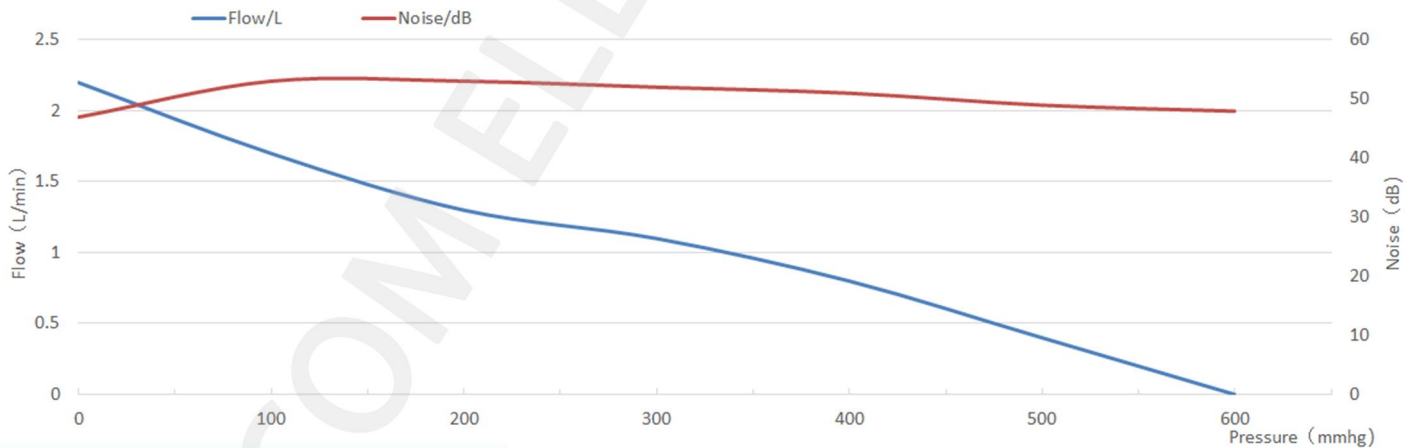
Coffee machine/Intelligent toilet/ Massage Machine etc

产品尺寸 Dimension:



性能曲线图 Performance curve:

性能曲线图 Performance curve:流量和噪音变化



产品参数 Parameter:

		Specification 产品规格			
额定电压	Rated voltage	DC3.0V	DC6.0V	DC12.0V	DC24.0V
额定电流	Rated current	<700mA	<600mA	<350mA	<200mA
充气时间	Inflation time	<10s (From 0 to 300mmHg in a 500CC tank)			
气密性	Leakage	<3mmHg/min from 300mmHg in a 500CC tank			
气流量	Air flow	>1.8L/min			
压力	Pressure	>500mmHg			
噪音	Noise	<55dB (30 cm away)			
使用流体	Medium	Air			
寿命试验	Lifetime test	50,000 cycle (10s on, 2s off, 5s exhaust)			
使用环境	Working environment	0~50 °C, 75% RH			

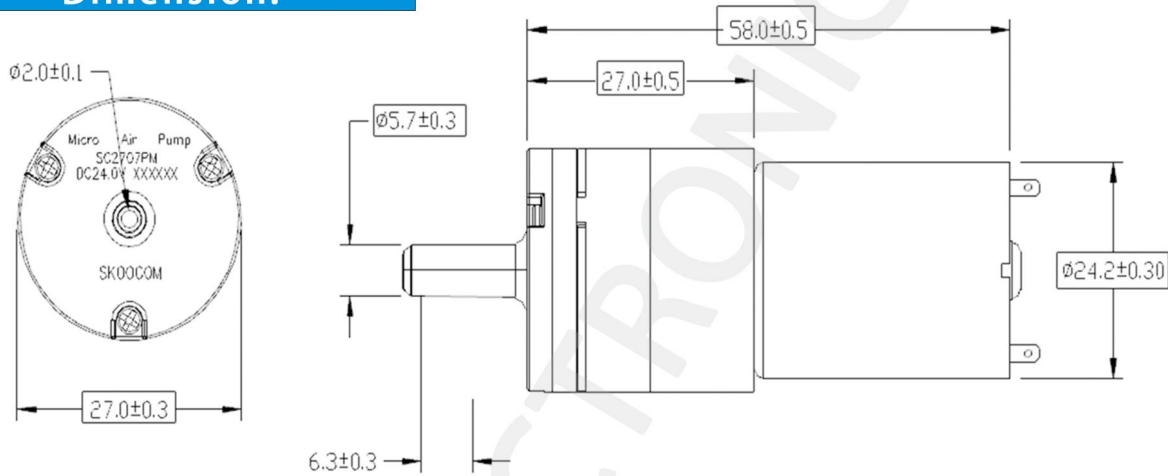
型号 Model: SC2707XPM

旧版型号: SC3707PM



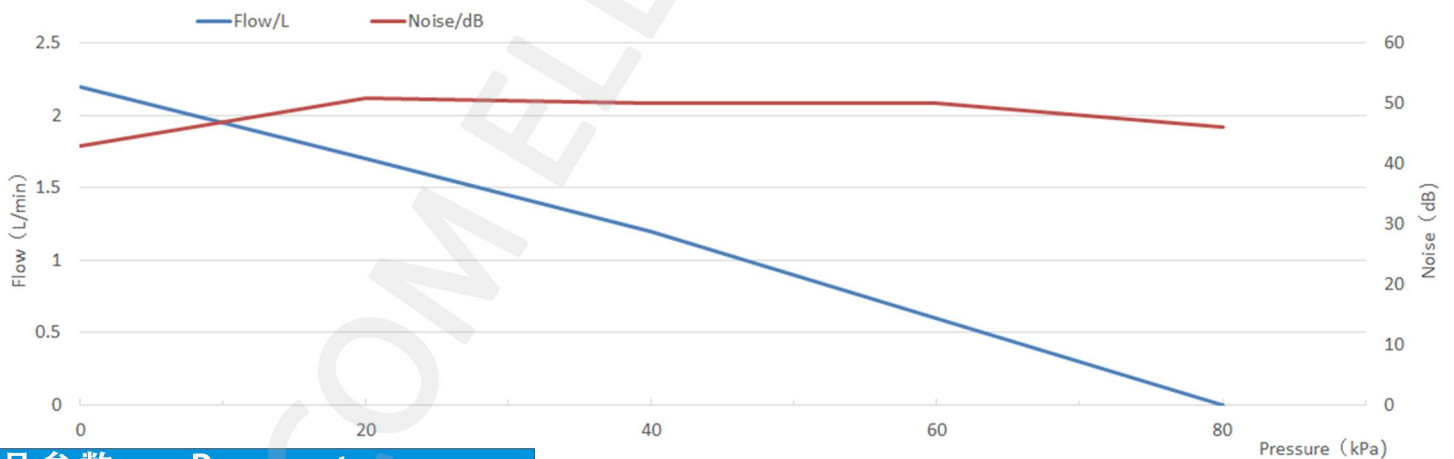
Application: Coffee machine / Blood Pressure Tester / Cosmetic Instrument etc

产品尺寸 Dimension:



性能曲线图 Performance curve:

性能曲线图 Performance curve: 流量和噪音变化

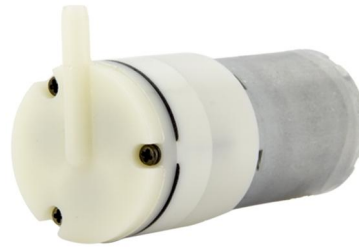


产品参数 Parameter:

Specification 产品规格					
额定电压	Rated voltage	DC3.0V	DC6.0V	DC12.0V	DC24.0V
额定电流	Rated current	<800mA	<650mA	<450mA	<300mA
充气时间	Inflation time	<10s (From 0 to 300mmHg in a 500CC tank)			
气密性	Leakage	<3mmHg/min from 300mmHg in a 500CC tank			
气流量	Air flow	>1.8L/min			
压力	Pressure	>70kPa			
噪音	Noise	<65dB (30 cm away)			
使用流体	Medium	Air			
寿命试验	Lifetime test	60,000 cycles (10s on, 2s off, 5s exhaust)			
使用环境	Working environment	0~50 °C, 75% RH			

型号 Model: SC2717XPM

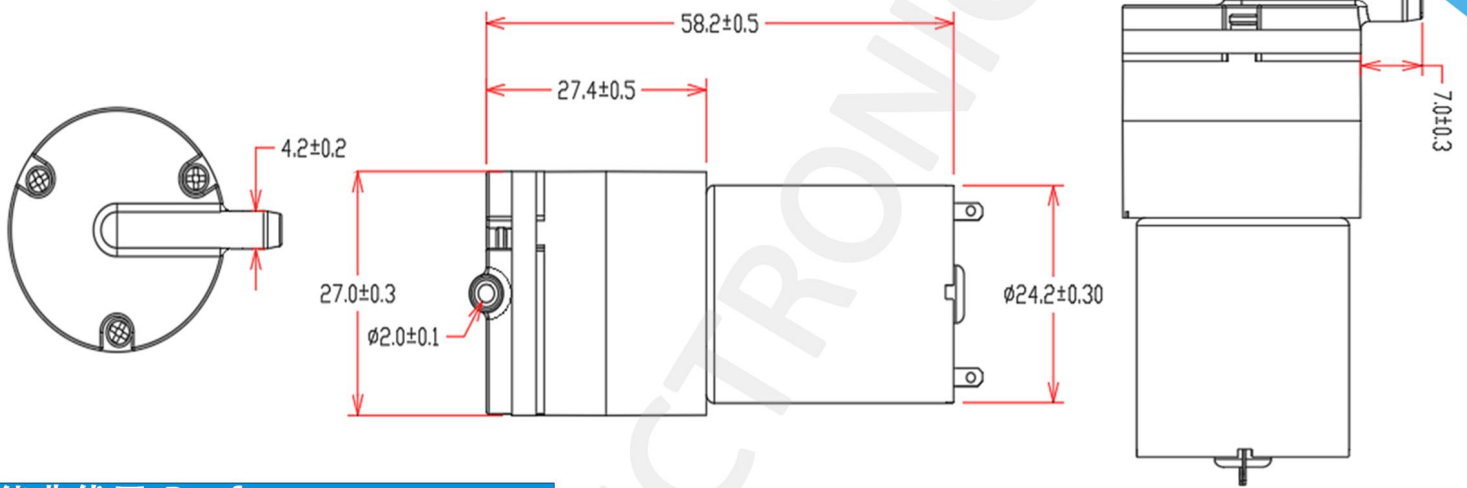
旧版型号: SC3715PM



Application

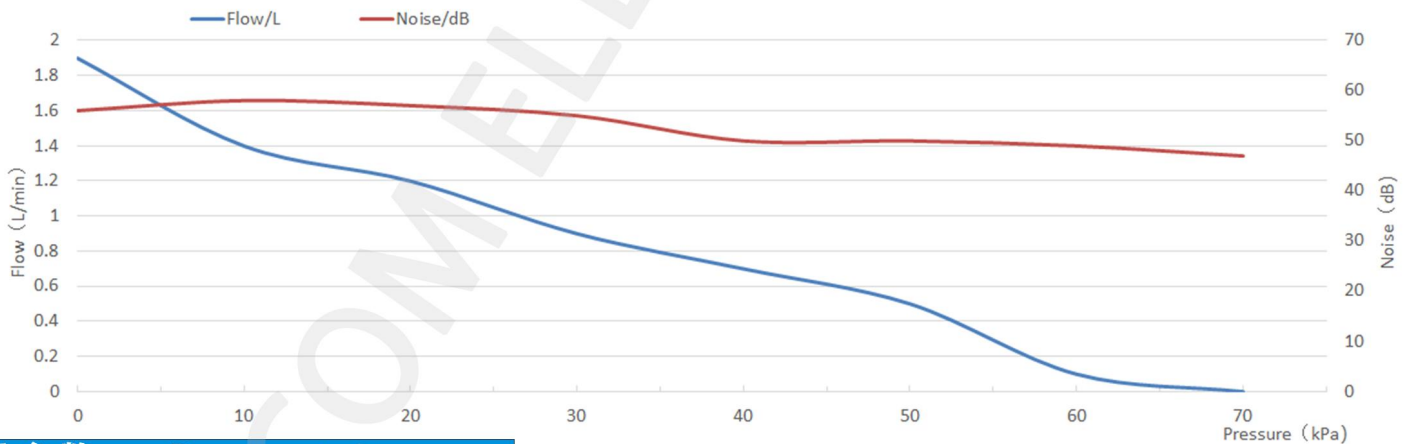
Massage Machine/
Coffee machine/Intelligent toilet etc

产品尺寸 Dimension:



性能曲线图 Performance curve:

性能曲线图 Performance curve:流量和噪音变化



产品参数 Parameter:

		Specification 产品规格		
额定电压	Rated voltage	DC6.0V	DC12.0V	DC24.0V
额定电流	Rated current	<430mA	<300mA	<150mA
充气时间	Inflation time	<10s (From 0 to 300mmHg in a 500CC tank)		
气密性	Leakage	<3mmHg/min from 300mmHg in a 500CC tank		
气流量	Air flow	>1.8L/min		
压力	Pressure	>68kPa		
噪音	Noise	<60dB (30 cm away)		
使用流体	Medium	Air		
寿命试验	Lifetime test	80,000 cycle (10s on, 2s off, 5s exhaust)		
使用环境	Working environment	0~50 °C, 75% RH		

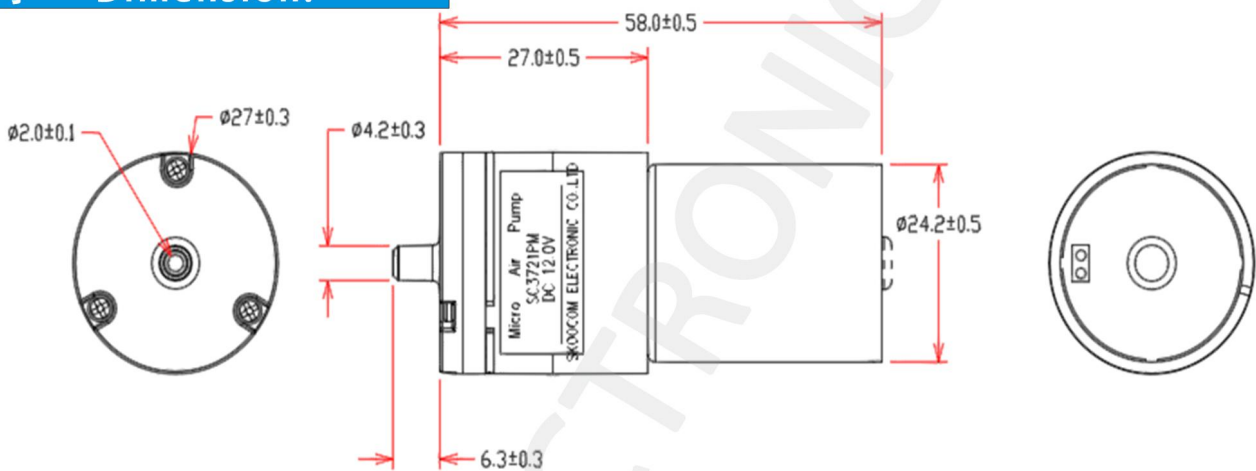
型号 Model: SC2726XPM

旧版型号: SC3721PM



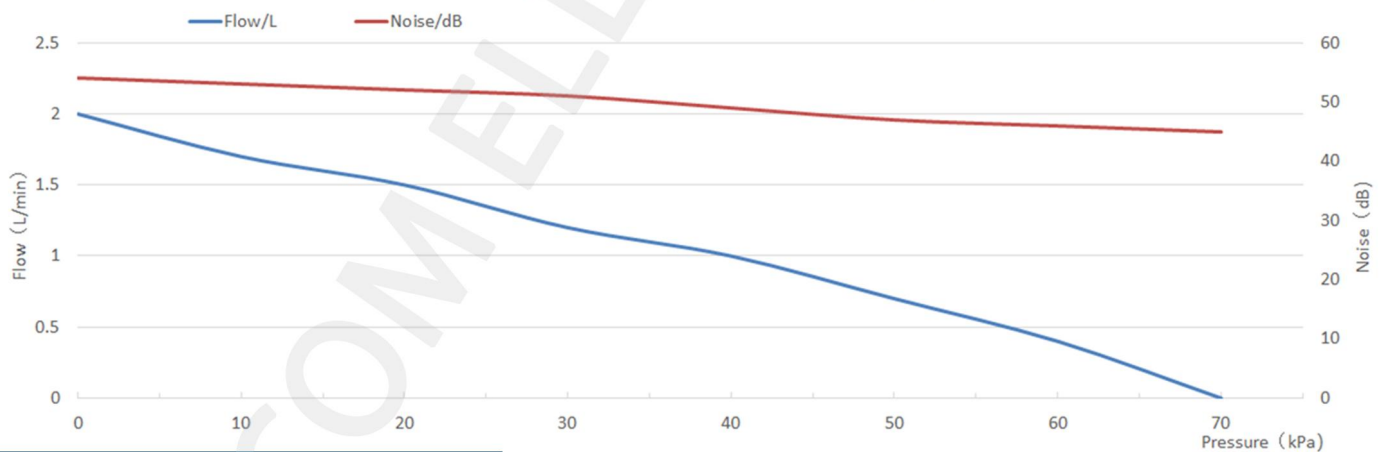
Application: Massage machine/Intelligent toilet etc

产品尺寸 Dimension:



性能曲线图 Performance curve:

性能曲线图 Performance curve:流量和噪音变化



产品参数 Parameter:

Specification 产品规格		DC3.0V	DC6.0V	DC12.0V	DC24.0V
额定电压	Rated voltage	DC3.0V	DC6.0V	DC12.0V	DC24.0V
额定电流	Rated current	<600mA	<450mA	<300mA	<200mA
充气时间	Inflation time	<10s (From 0 to 300mmHg in a 500CC tank)			
气密性	Leakage	<3mmHg/min from 300mmHg in a 500CC tank			
气流量	Air flow	>1.8L/min			
压力	Pressure	>70kPa			
噪音	Noise	<60dB (30 cm away)			
使用流体	Medium	Air			
寿命试验	Lifetime test	200,000 cycle(10s on, 2s off, 5s exhaust) (Brushless motor)			
使用环境	Working environment	0~50 °C, 75% RH			

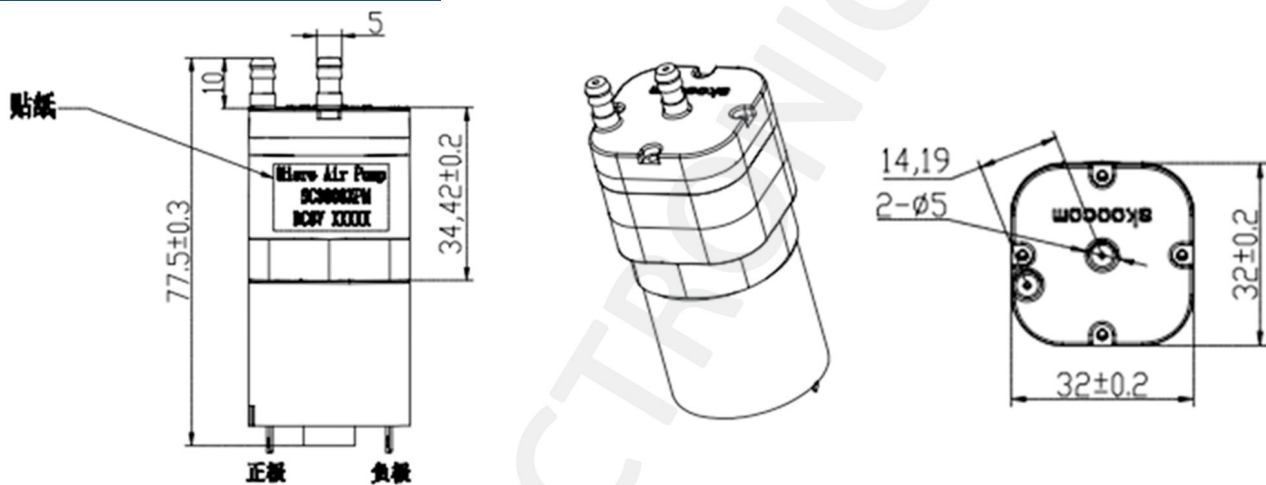
型号 Model: SC3204XPV

旧版型号: SC3803XPM



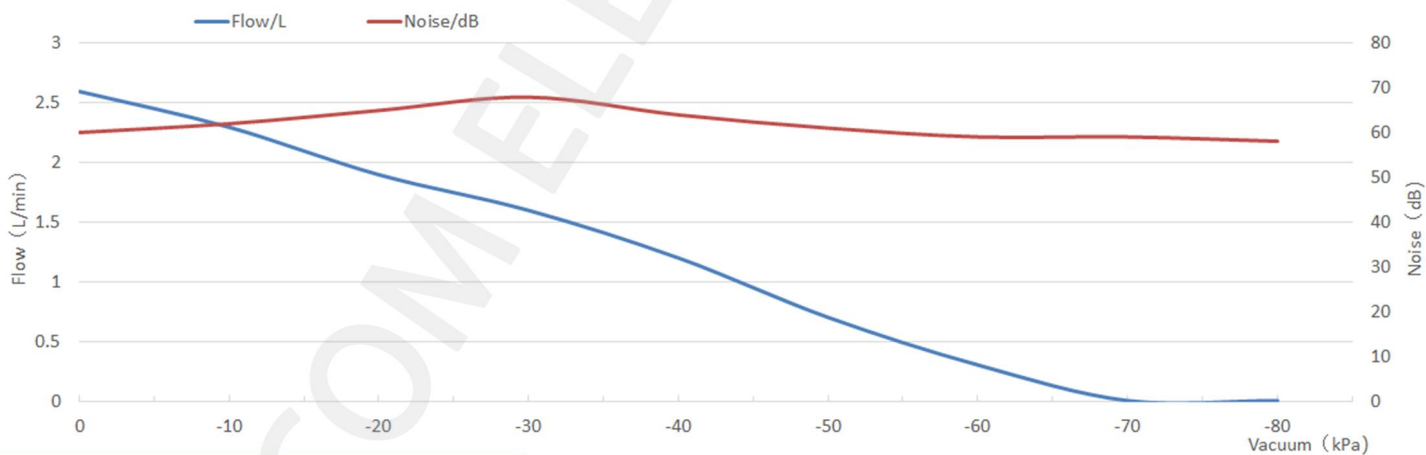
Application: Massager/Breast pump/
Vacuum preservation machines etc

产品尺寸 Dimension:



性能曲线图 Performance curve:

性能曲线图 Performance curve: 流量和噪音变化



产品参数 Parameter:

		Specification 产品规格	
额定电压	Rated voltage	DC6.0V	DC12.0V
额定电流	Rated current	<1000mA	<500mA
气流量	Air flow	>2.0L/min	
真空	Vacuum	<-77kPa	
噪音	Noise	<68dB (30 cm away)	
使用流体	Medium	Air	
寿命试验	Lifetime test	17,500 cycle (90s on, 10 off, 5 exhaust)	
使用环境	Working environment	0~50 °C, 75% RH	

型号 Model: SC2703XPM

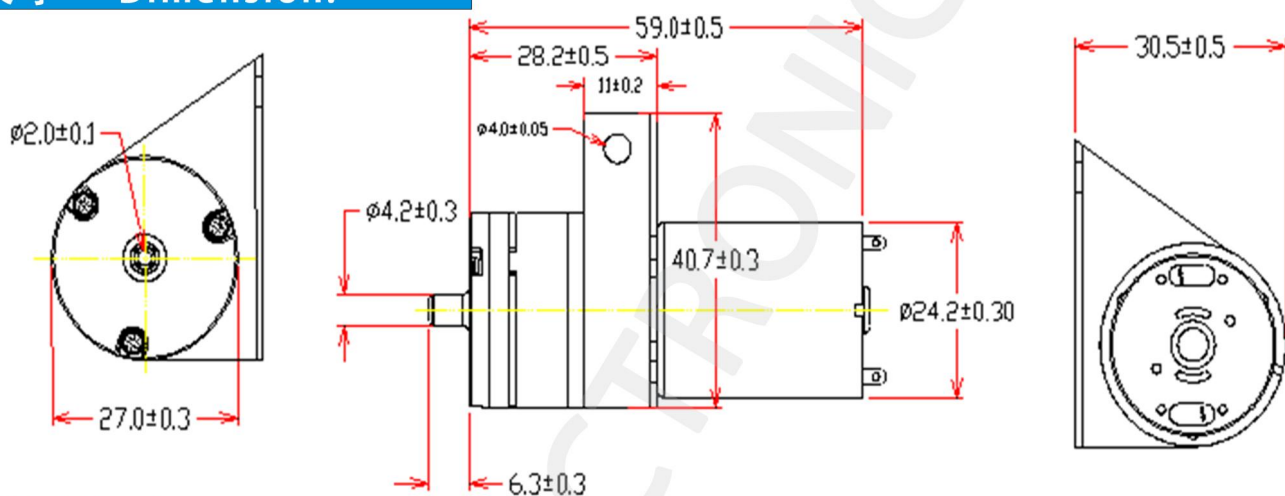
旧版型号: SC3703PM



Application

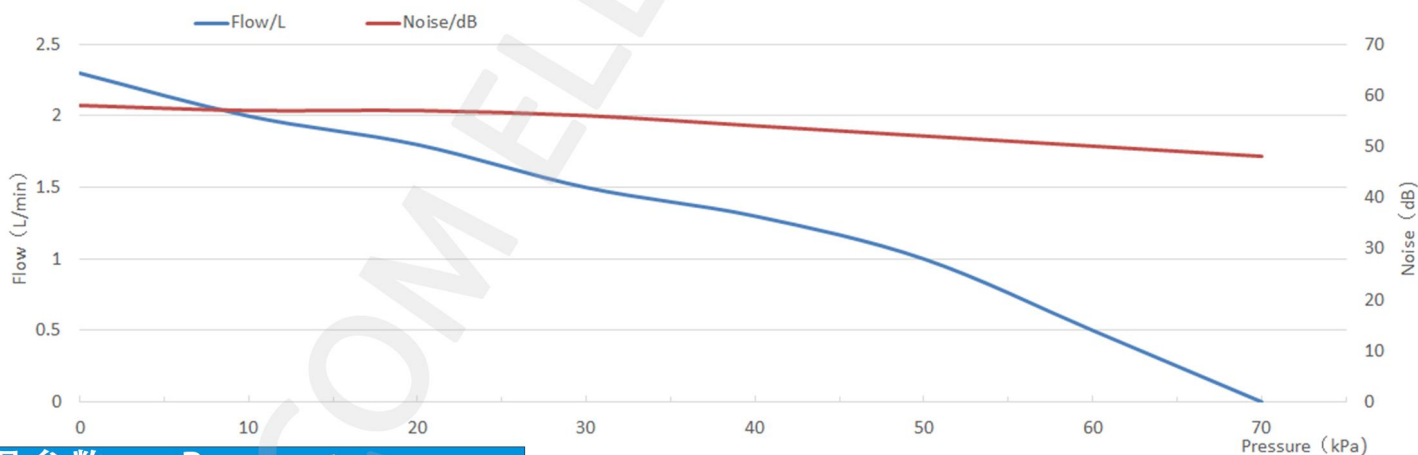
Massage machine/Coffee machine etc

产品尺寸 Dimension:



性能曲线图 Performance curve:

性能曲线图 Performance curve:流量和噪音变化



产品参数 Parameter:

		Specification 产品规格		
额定电压	Rated voltage	DC6.0V	DC12.0V	DC24.0V
额定电流	Rated current	<430mA	<300mA	<150mA
充气时间	Inflation time	<10s (From 0 to 300mmHg in a 500CC tank)		
气密性	Leakage	<3mmHg/min from 300mmHg in a 500CC tank		
气流量	Air flow	>1.8L/min		
压力	Pressure	>60kPa		
噪音	Noise	<65dB (30 cm away)		
使用流体	Medium	Air		
寿命试验	Lifetime test	60,000 cycle (10s on, 2s off, 5s exhaust)		
使用环境	Working environment	0~50 °C, 75% RH		

型号 Model: SC2713XPM

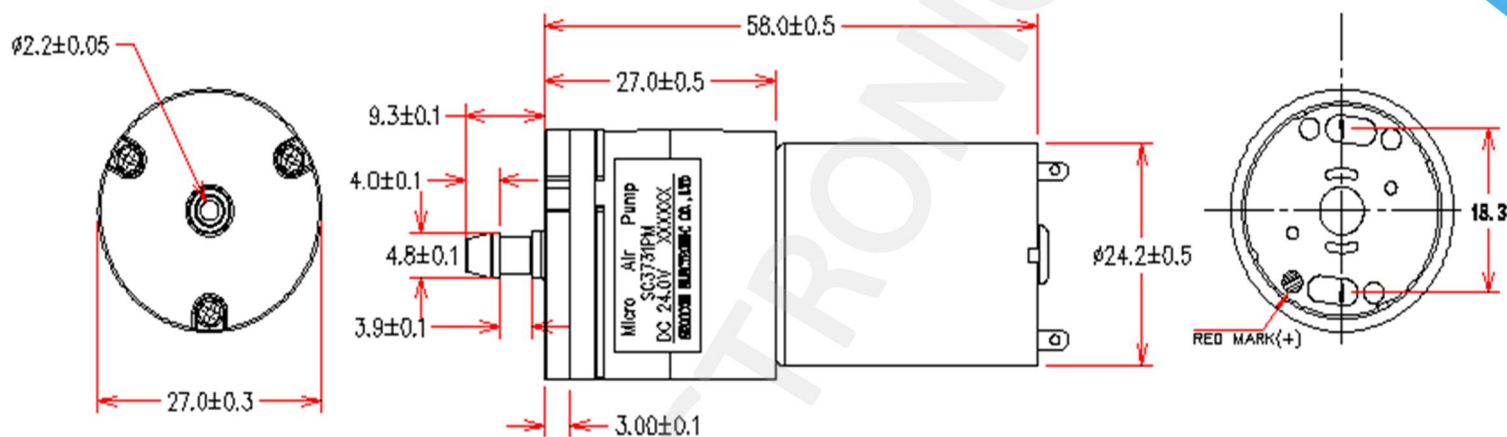
旧版型号: SC3731PM



Application

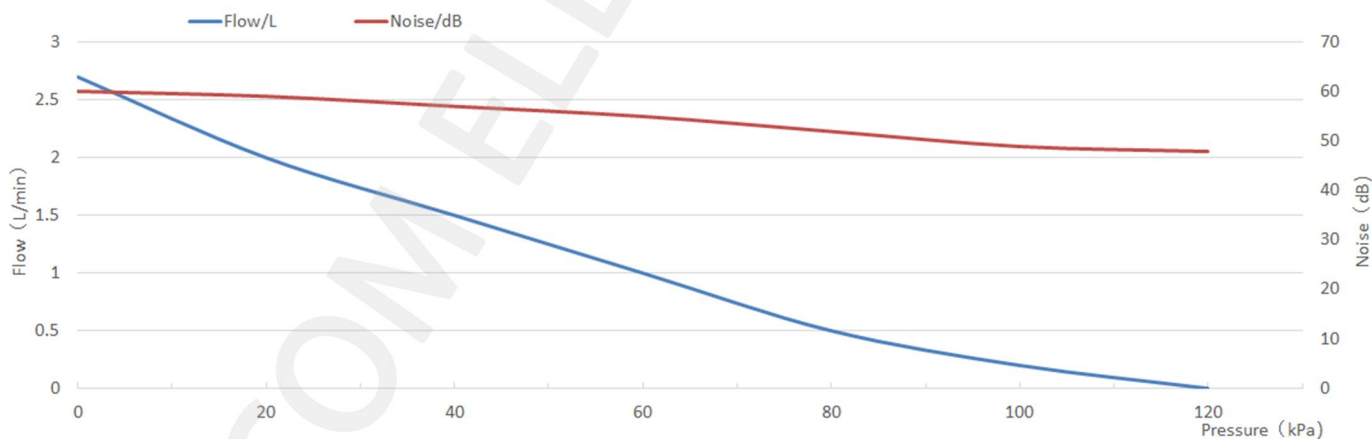
Coffee machine/
Nebuliser/Beer machine etc

产品尺寸 Dimension:



性能曲线图 Performance curve:

性能曲线图 Performance curve: 流量和噪音变化



产品参数 Parameter:

		Specification 产品规格		
额定电压	Rated voltage	DC6.0V	DC12.0V	DC24.0V
额定电流	Rated current	<500mA	<300mA	<200mA
充气时间	Inflation time	<10s (From 0 to 300mmHg in a 500CC tank)		
气密性	Leakage	<10mmHg/min from 300mmHg in a 500CC tank		
气流量	Air flow	>2.6L/min		
压力	Pressure	>120kPa		
噪音	Noise	<65dB (30 cm away)		
使用流体	Medium	Air		
寿命试验	Lifetime test	80,000 cycle (10s on, 2s off, 5s exhaust)		
使用环境	Working environment	0~50 °C, 75% RH		

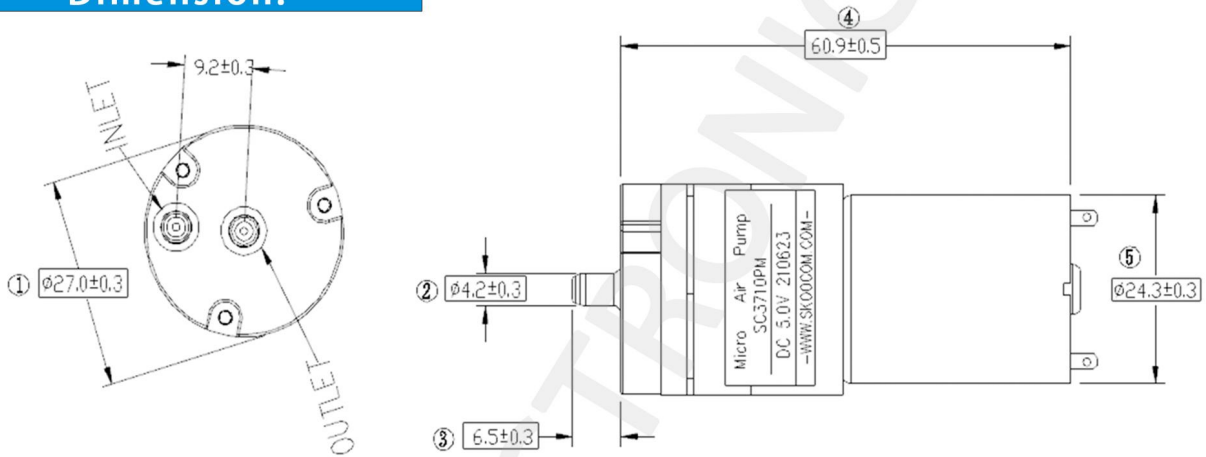
型号 Model: SC2710XPM

旧版型号: SC3710PM



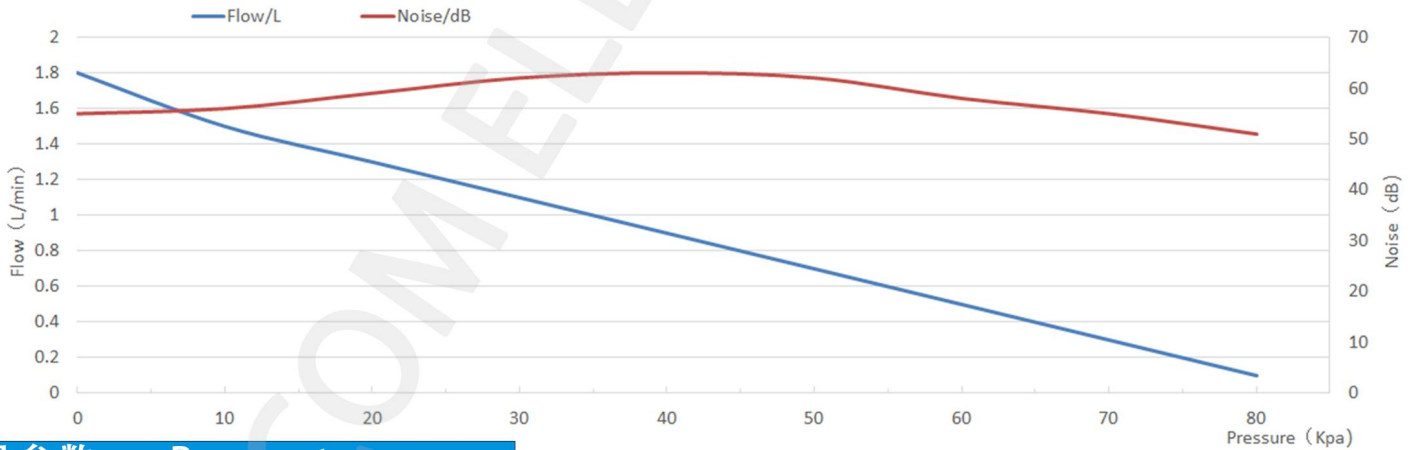
Application Breast Pump/Cosmetic Instrument etc

产品尺寸 Dimension:



性能曲线图 Performance curve:

性能曲线图 Performance curve:流量和噪音变化



产品参数 Parameter:

		Specification 产品规格			
额定电压	Rated voltage	DC3.0V	DC4.5V	DC6.0V	DC12.0V
额定电流	Rated current	<800mA	<600mA	<450mA	<300mA
充气时间	Inflation time	<15s (From 0 to 300mmHg in a 500CC tank)			
气密性	Leakage	<5mmHg/min from 300mmHg in a 500CC tank			
气流量	Air flow	>1.3L/min			
压力	Pressure	>80kPa			
噪音	Noise	<62dB (30 cm away)			
使用流体	Medium	Air			
寿命试验	Lifetime test	60,000 cycles (10s on, 2s off, 5s exhaust)			
使用环境	Working environment	0~50 °C, 75% RH			

型号 Model: SC2601PPV

旧版型号: SC9001PM

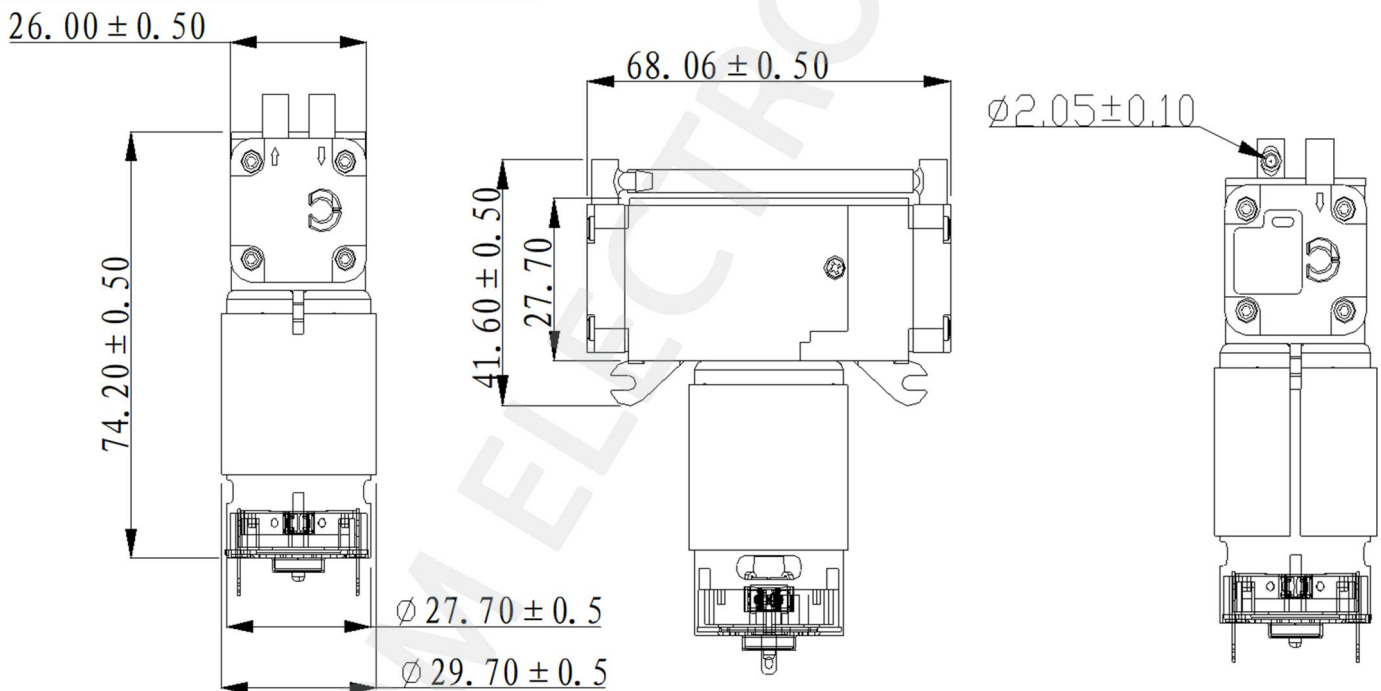


气泵
Air Pump

Application

Beauty apparatus/
Vacuum packing machine etc.

产品尺寸 Dimension:



产品参数 Parameter:

		Specification 产品规格		
额定电压	Rated voltage	DC6.0V	DC12.0V	DC24.0V
额定电流	Rated current	<1600mA	<1000mA	<500mA
气流量	Air flow	>3L/min		
压力	Pressure	<-70kPa		
噪音	Noise	<72dB (30 cm away)		
使用流体	Medium	Air		
寿命试验	Lifetime test	100,000 cycle (10s on, 2s off, 5s exhaust)		
使用环境	Working environment	0~50 °C, 75% RH		

型号 Model: SC2701XPV

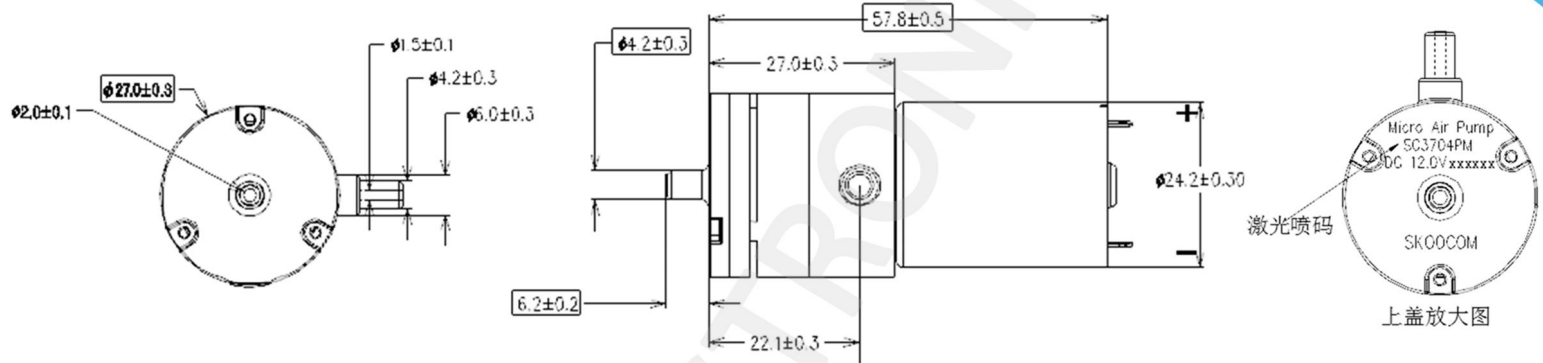
旧版型号: SC3704PM



Application

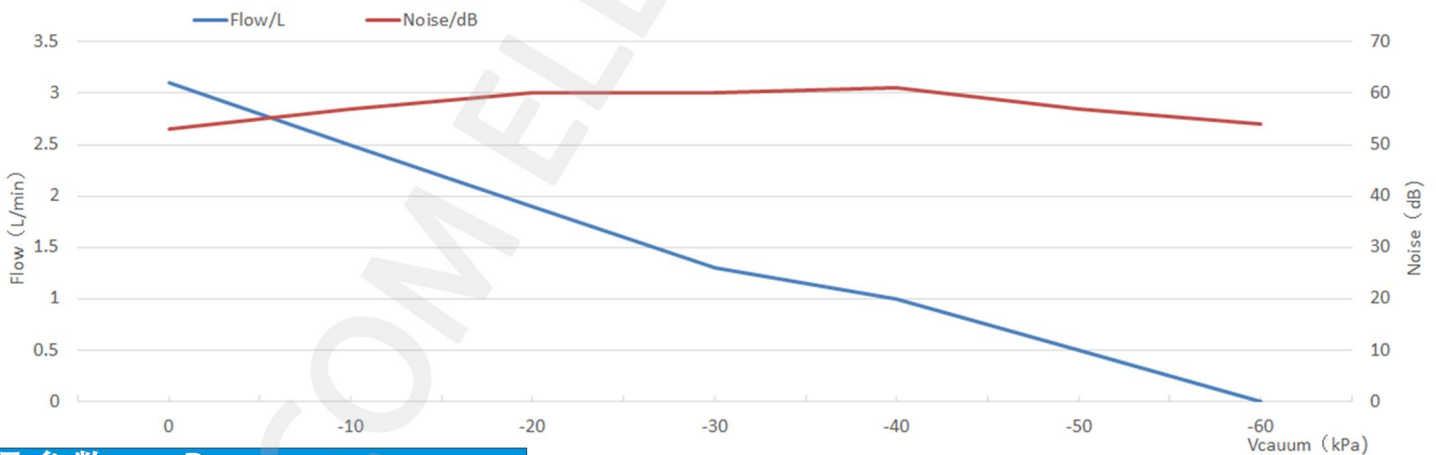
Breast pump/Vacuum packing /Cosmetic Instrument/Air sampler etc

产品尺寸 Dimension:



性能曲线图 Performance curve:

性能曲线图 Performance curve:流量和噪音变化



产品参数 Parameter:

		Specification 产品规格			
额定电压	Rated voltage	DC3.0V	DC6.0V	DC12.0V	DC24.0V
额定电流	Rated current	<800mA	<600mA	<450mA	<300mA
气流量	Air flow	>3L/min			
真空	Vacuum	<-58kPa			
噪音	Noise	<65dB (30 cm away)			
使用流体	Medium	Air			
寿命试验	Lifetime test	1200 cycles(1.7s on, 0.8s off, 30min work, 10 min stop)			
使用环境	Working environment	0~50 °C, 75% RH			

型号 Model: SC2702XPV

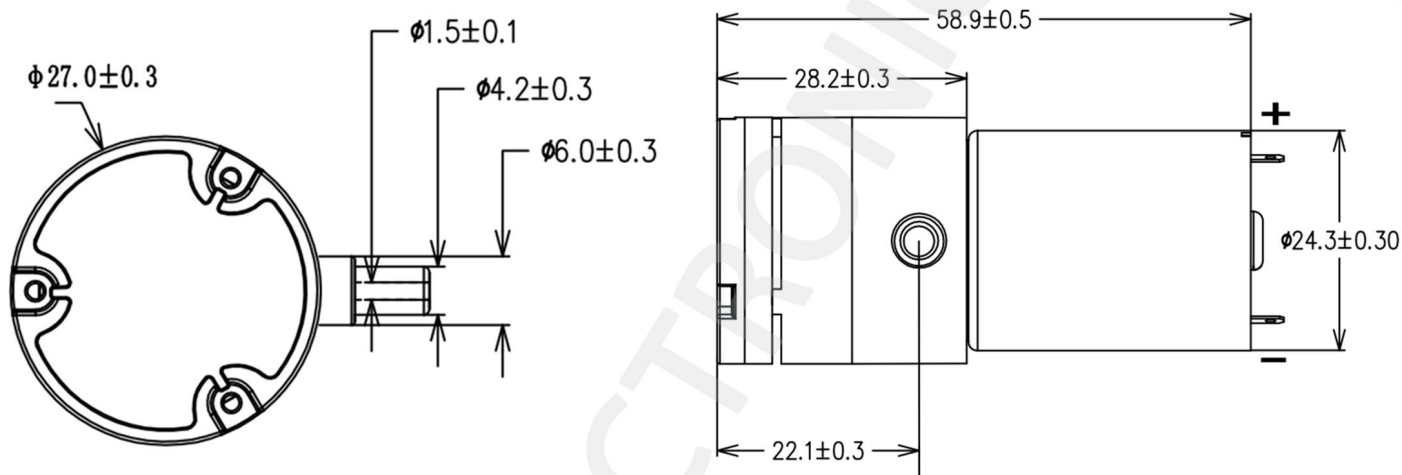
旧版型号: SC3704PM



Application

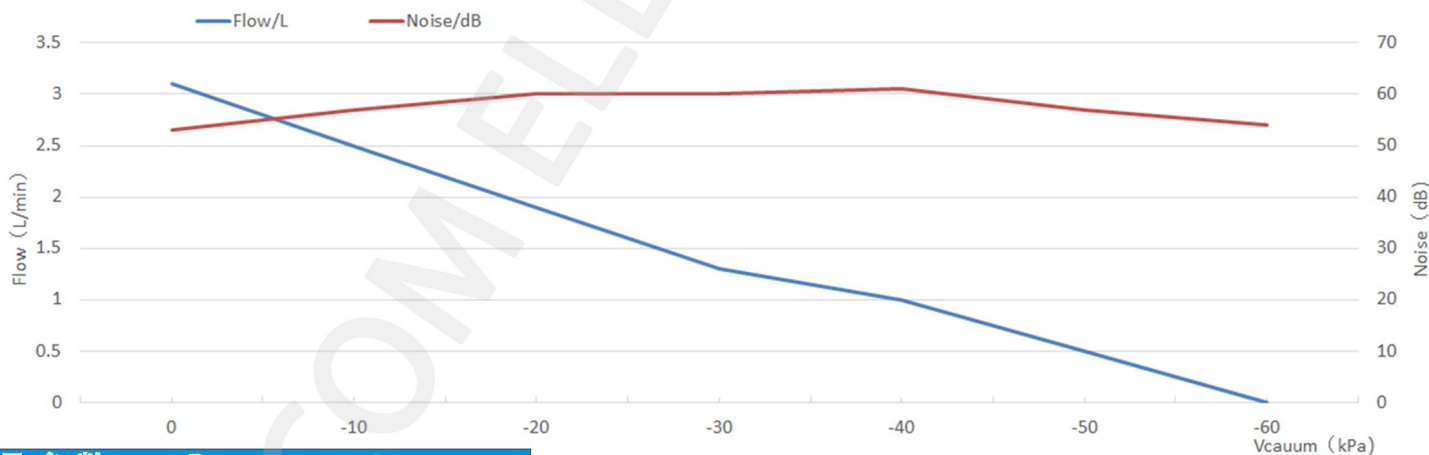
Breast pump/Vacuum packing /Cosmetic Instrument/Air sampler etc

产品尺寸 Dimension:



性能曲线图 Performance curve:

性能曲线图 Performance curve:流量和噪音变化



产品参数 Parameter:

Specification 产品规格					
额定电压	Rated voltage	DC3.0V	DC6.0V	DC12.0V	DC24.0V
额定电流	Rated current	<800mA	<600mA	<450mA	<300mA
气流量	Air flow	>3L/min			
真空	Vacuum	<-58kPa			
噪音	Noise	<65dB (30 cm away)			
使用流体	Medium	Air			
寿命试验	Lifetime test	1200 cycles (1.7s on, 0.8s off, 30min work, 10 min stop)			
使用环境	Working environment	0~50 °C, 75% RH			

型号 Model: SC2706XPV

旧版型号: SC3704PM

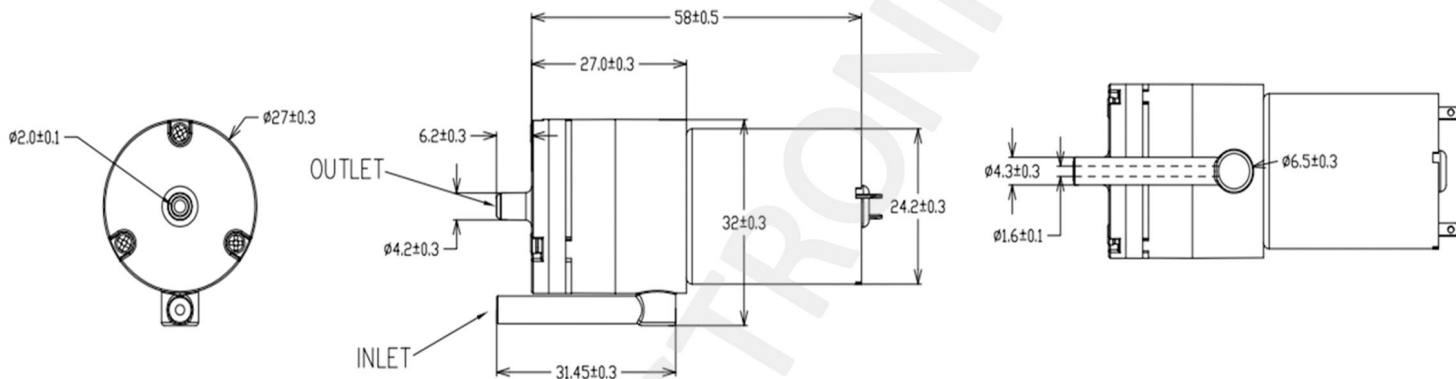


Application

Breast pump/Vacuum packing /Cosmetic Instrument/Air sampler etc

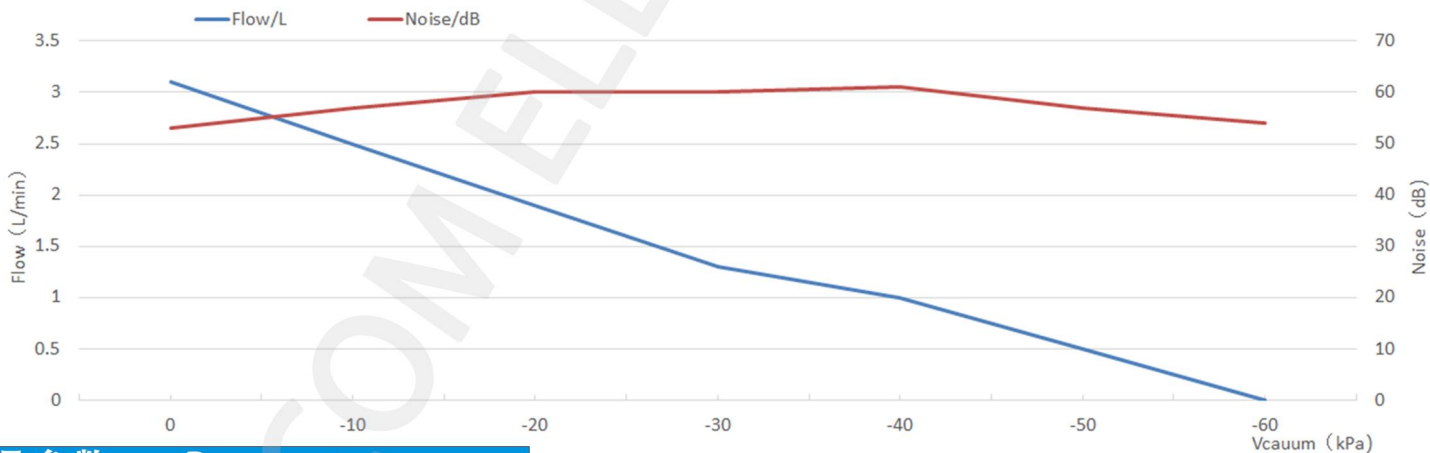
产品尺寸

Dimension:



性能曲线图 Performance curve:

性能曲线图 Performance curve:流量和噪音变化



产品参数

Parameter:

		Specification 产品规格			
额定电压	Rated voltage	DC3.0V	DC4.5V	DC6.0V	DC12.0V
额定电流	Rated current	<800mA	<600mA	<450mA	<300mA
气流量	Air flow	>3L/min			
真空	Vacuum	<-58Kpa			
噪音	Noise	<65dB (30 cm away)			
使用流体	Medium	Air			
寿命试验	Lifetime test	800 cycles (on 1.7s, off 0.8s, work 30min, stop 10 min)			
使用环境	Working environment	0~50 °C, 75% RH			

型号 Model: SC3201XPM

旧版型号: SC3201PM

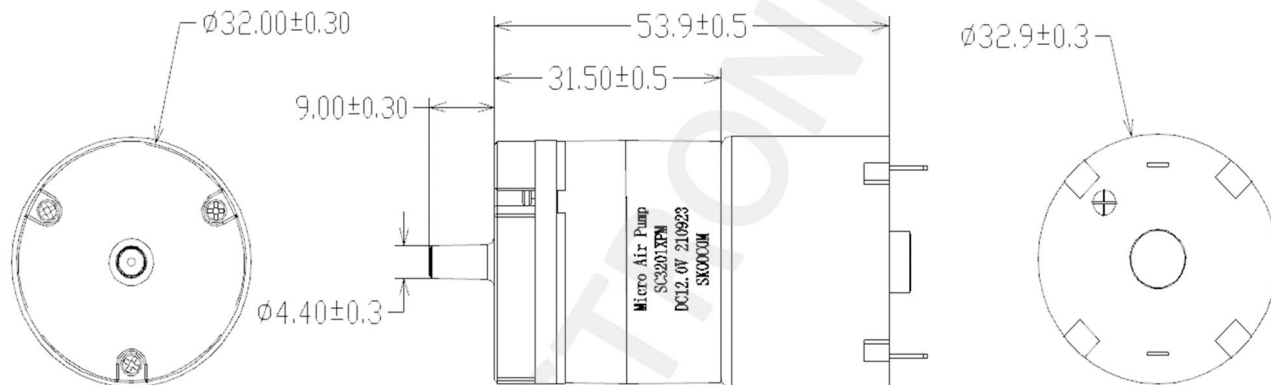


Application

Cosmetic Instrument/
Massage Machine/Intelligent toilet etc

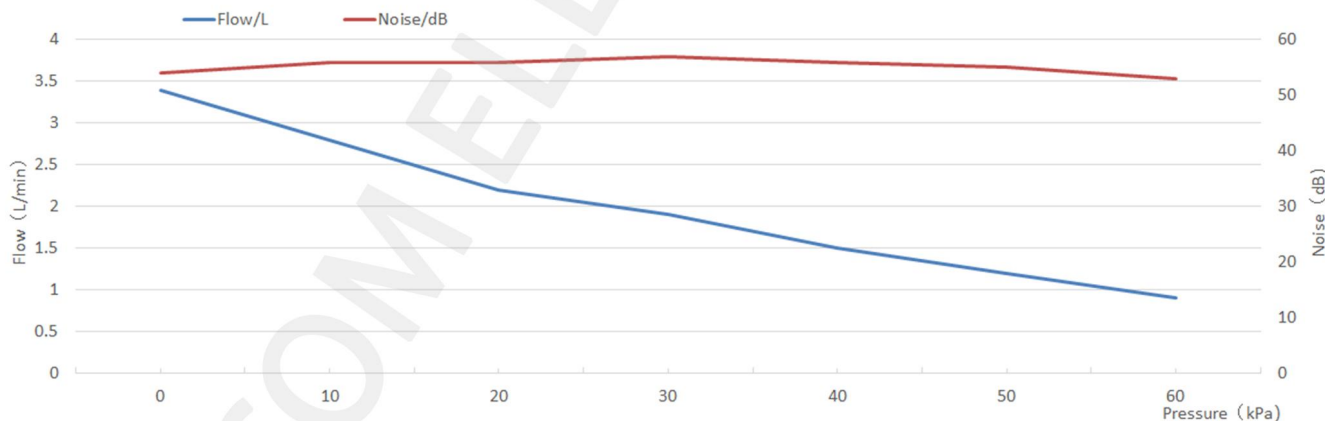
产品尺寸

Dimension:



性能曲线图 Performance curve:

性能曲线图 Performance curve:流量和噪音变化



产品参数

Parameter:

		Specification 产品规格			
额定电压	Rated voltage	DC3.0V	DC6.0V	DC12.0V	DC24.0V
额定电流	Rated current	<800mA	<650mA	<450mA	<300mA
充气时间	Inflation time	<8s (From 0 to 300mmHg in a 500CC tank)			
气密性	Leakage	<3mmHg/min from 300mmHg in a 500CC tank			
气流量	Air flow	>3L/min			
压力	Pressure	>70kPa			
噪音	Noise	<60dB (30 cm away)			
使用流体	Medium	Air			
寿命试验	Lifetime test	30,000 cycle (10s on, 2s off, 5s exhaust)			
使用环境	Working environment	0~50 °C, 75% RH			

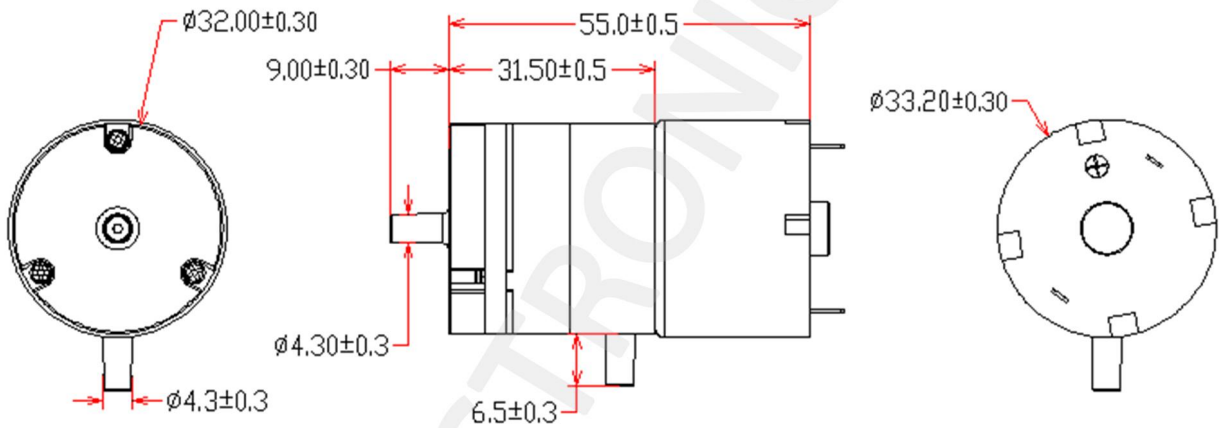
型号 Model: SC3301XPV

旧版型号: SC3204PM



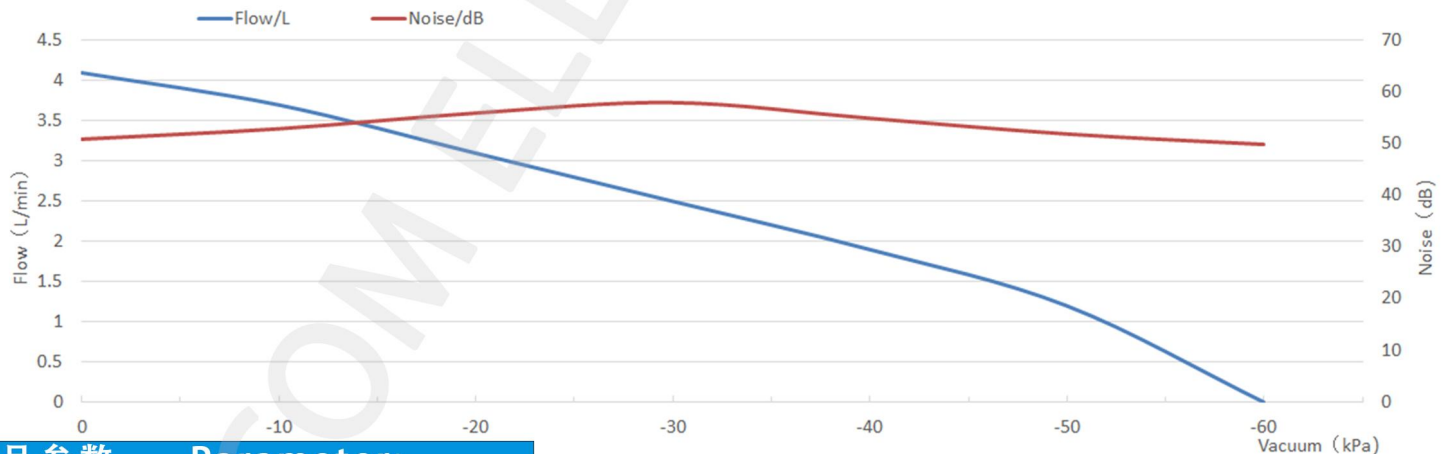
Application: Cosmetic Instrument/Atomizer etc

产品尺寸 Dimension:



性能曲线图 Performance curve:

性能曲线图 Performance curve:流量和噪音变化



产品参数 Parameter:

Specification 产品规格				
额定电压	Rated voltage	DC6.0V	DC12.0V	DC24.0V
额定电流	Rated current	<430mA	<300mA	<200mA
气流量	Air flow	>3.5L/min		
真空	Vacuum	<-60kPa		
噪音	Noise	<65dB (30 cm away)		
使用流体	Medium	Air		
寿命试验	Lifetime test	120,000 cycle (5s on, 2s off, 5s exhaust)		
使用环境	Working environment	0~50 °C, 75% RH		

型号 Model: SC3501PPV

旧版型号: SC3002APM

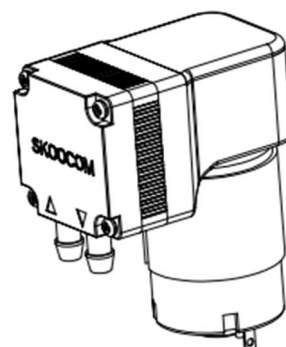
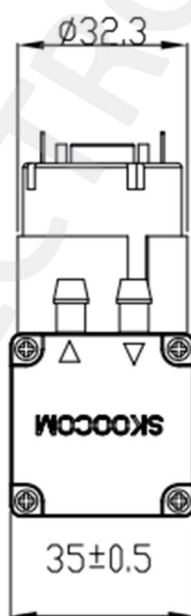
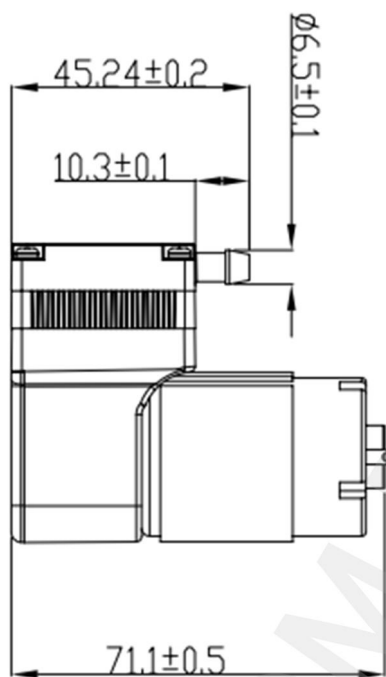


气泵
Air Pump

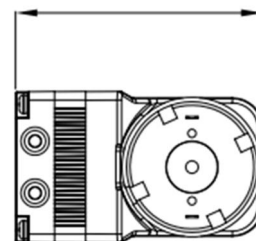
Application

Vacuum package machine etc.

产品尺寸 Dimension:



57.04±0.5



产品参数 Parameter:

Specification 产品规格

额定电压	Rated voltage	DC6.0V
额定电流	Rated current	<1500mA
气流量	Air flow	>7L/min
最大压力	Pressure	<-70kPa
噪音	Noise	<70dB (30 cm away)
使用流体	Medium	Air
寿命试验	Lifetime test	100,000cycles (5s on, 10s off)
使用环境	Working environment	0~50 °C, 75% RH

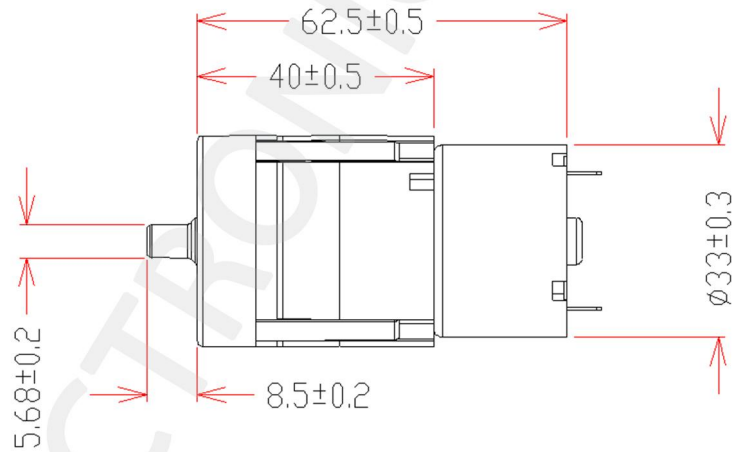
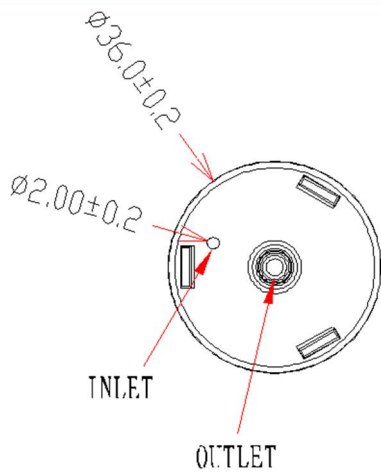
型号 Model: SC3602XPM

旧版型号: SC3602PM



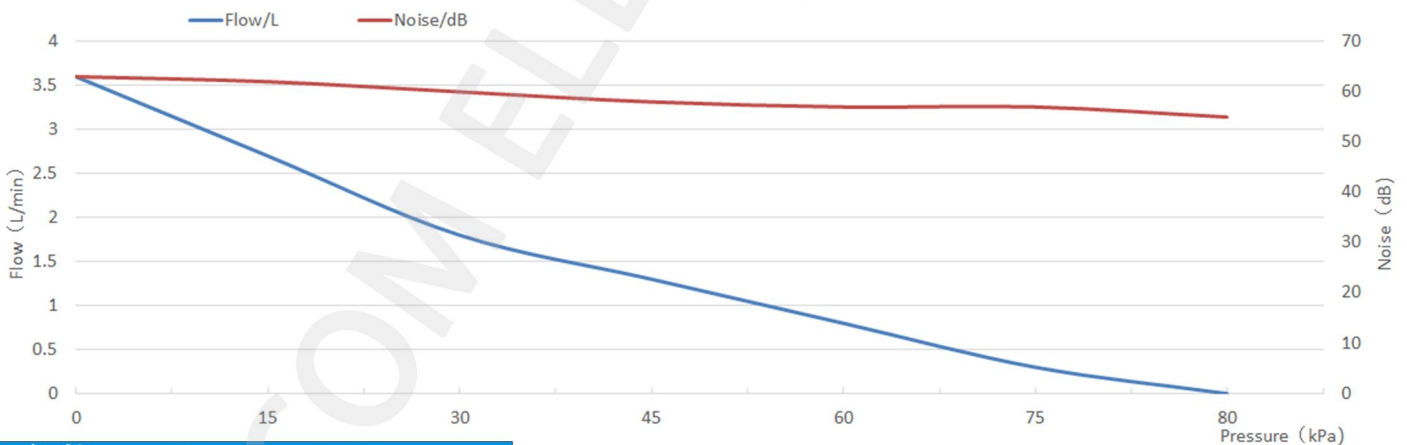
Application: Massage machine/Cosmetic Instrument etc

产品尺寸 Dimension:



性能曲线图 Performance curve:

性能曲线图 Performance curve:流量和噪音变化



产品参数 Parameter:

Specification 产品规格		DC3.0V	DC6.0V	DC12V	DC24V
额定电压	Rated voltage	DC3.0V	DC6.0V	DC12V	DC24V
额定电流	Rated current	<1500mA	<1200mA	<600mA	<300mA
充气时间	Inflation time	<7s (From 0 to 300mmHg in a 500CC tank)			
气密性	Leakage	<3mmHg/min from 300mmHg in a 500CC tank			
气流量	Air flow	>3.5L/min			
压力	Pressure	>80kPa			
噪音	Noise	<60dB (30 cm away)			
使用流体	Medium	Air			
寿命试验	Lifetime test	60,000 cycle (10s on, 2s off, 5s exhaust)			
使用环境	Working environment	0~50 °C, 75% RH			

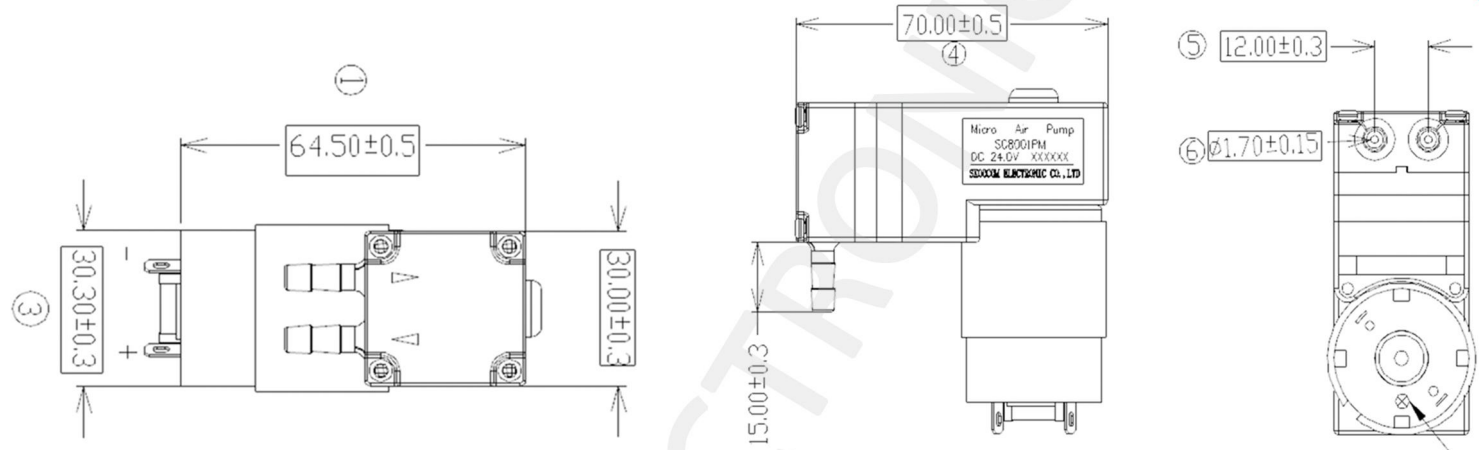
型号 Model: SC3001HPM

旧版型号: SC8001PM



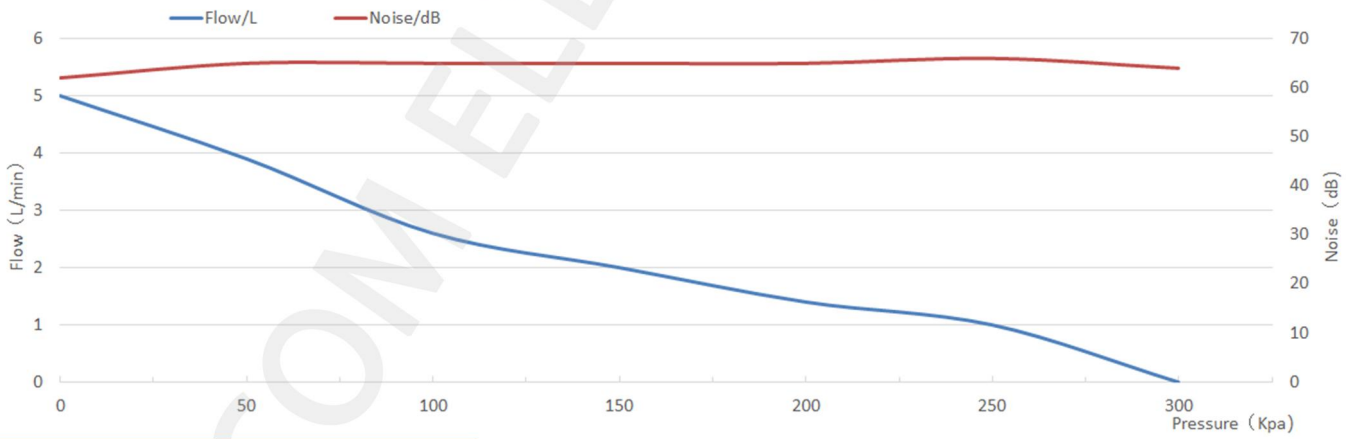
Application: Massage machine/Beer machine etc

产品尺寸 Dimension:



性能曲线图 Performance curve:

性能曲线图 Performance curve: 流量和噪音变化



产品参数 Parameter:

Specification 产品规格		DC6.0V	DC12.0V	DC24.0V
额定电压	Rated voltage	DC6.0V	DC12.0V	DC24.0V
额定电流	Rated current	<1300mA	<900mA	<500mA
充气时间	Inflation time	<7s (From 0 to 300mmHg in a 500CC tank)		
气密性	Leakage	<10mmHg/min from 300mmHg in a 500CC tank		
气流量	Air flow	>4L/min		
压力	Pressure	>250kPa		
噪音	Noise	<75dB (30 cm away)		
使用流体	Medium	Air		
寿命试验	Lifetime test	200,000 cycle(10s on, 2s off, 5s exhaust)		
使用环境	Working environment	0~50 °C, 75% RH		

型号 Model: SC3001PPV

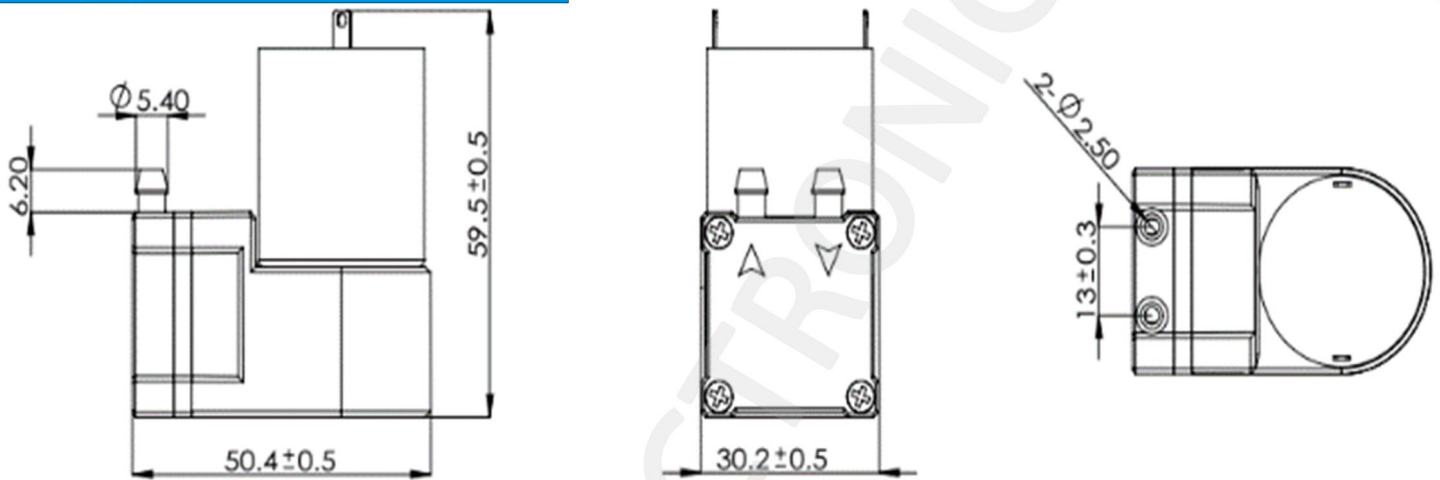
旧版型号: SC3001PM



Application

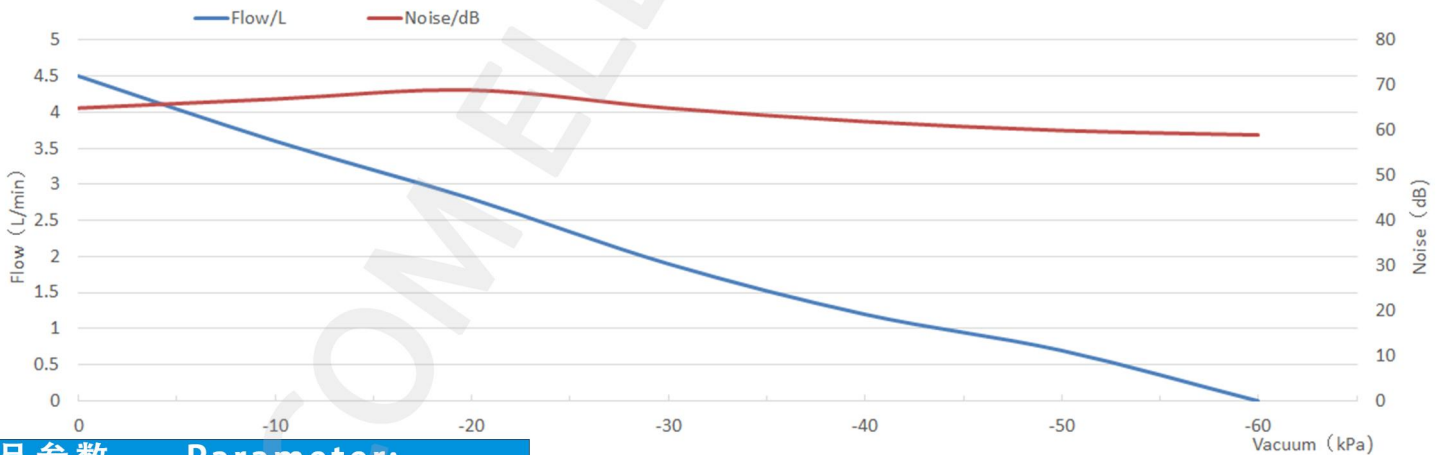
Breast pump/Cosmetic Instrument/
Vacuum preservation machine etc

产品尺寸 Dimension:



性能曲线图 Performance curve:

性能曲线图 Performance curve:流量和噪音变化



产品参数 Parameter:

		Specification 产品规格	
额定电压	Rated voltage	DC6V	DC12V
额定电流	Rated current	<750mA	<400mA
气流量	Air flow	>4L/min	
真空	Vacuum	<-60kPa	
噪音	Noise	<70dB (30 cm away)	
使用流体	Medium	Air	
寿命试验	Lifetime test	600, 000 cycle (2s on, 1s off)	
使用环境	Working environment	0~50 °C, 75% RH	

型号 Model: SC3203XPM

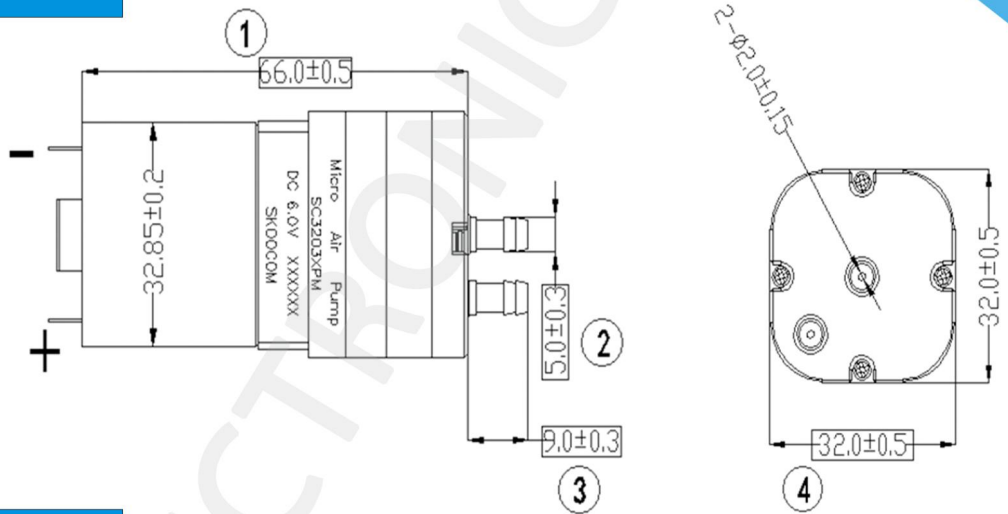
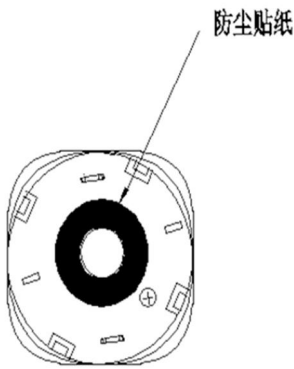
旧版型号: SC3802PM



Application

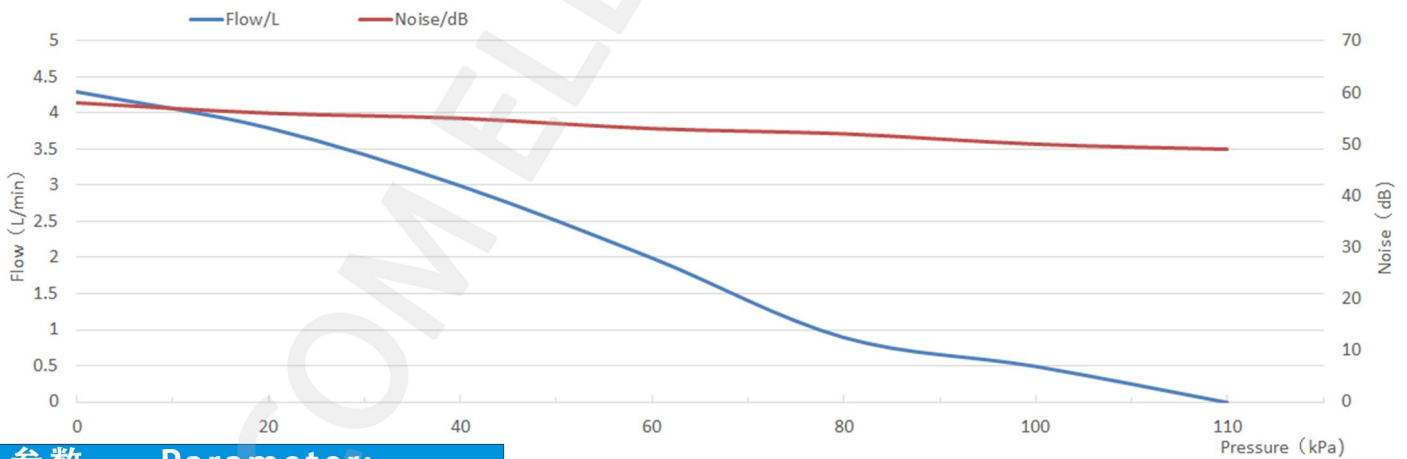
Nebulizer/Massage machine/
Vacuum packing machine etc

产品尺寸 Dimension:



性能曲线图 Performance curve:

性能曲线图 Performance curve: 流量和噪音变化



产品参数 Parameter:

Specification 产品规格					
额定电压	Rated voltage	DC3.0V	DC6.0V	DC12V	DC24V
额定电流	Rated current	<1500mA	<1000mA	<600mA	<300mA
充气时间	Inflation time	<5s (From 0 to 300mmHg in a 500CC tank)			
气密性	Leakage	<10mmHg/min from 300mmHg in a 500CC tank			
气流量	Air flow	>4.0L/min			
压力	Pressure	>100kPa			
噪音	Noise	<65dB (30 cm away)			
使用流体	Medium	Air			
寿命试验	Lifetime test	>120,000 cycles (5s on, 2s off, 5s exhaust)			
使用环境	Working environment	0~50 °C, 75% RH			

型号 Model: SC3201PPV

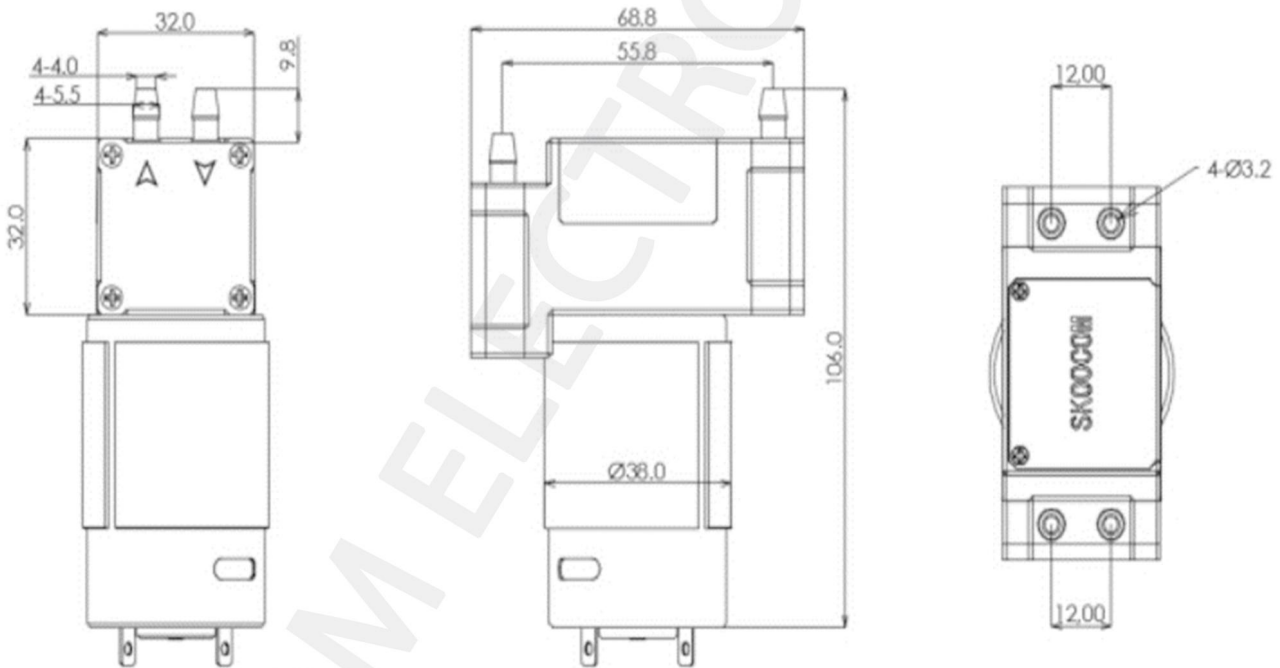
旧版型号: SC5901PM



气泵
Air Pump

Application: Cosmetic Instrument/
Vacuum juicer blender/Coffee machine etc.

产品尺寸 Dimension:



产品参数 Parameter:

Specification 产品规格		
额定电压	Rated voltage	DC12.0V
额定电流	Rated current	<500mA
气流量	Air flow	≥4.0L/min
最大压力	Pressure	<-90kPa
噪音	Noise	<70dB (30 cm away)
使用流体	Medium	Air
寿命试验	Lifetime test	100,000 cycle (10s on, 2s off, 5s exhaust)
使用环境	Working environment	0~50 °C, 75% RH

型号 Model: SC3301XPM

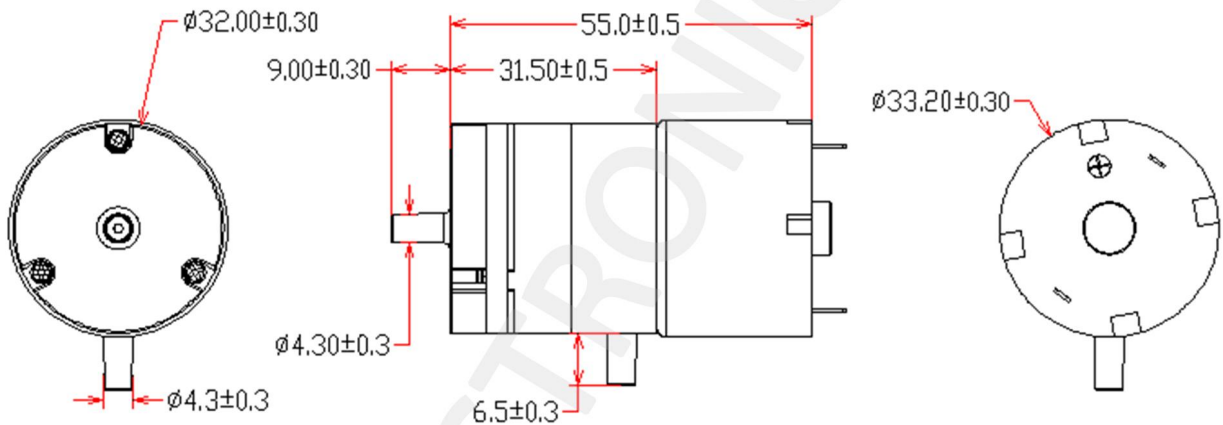
旧版型号: SC3204PM



Application

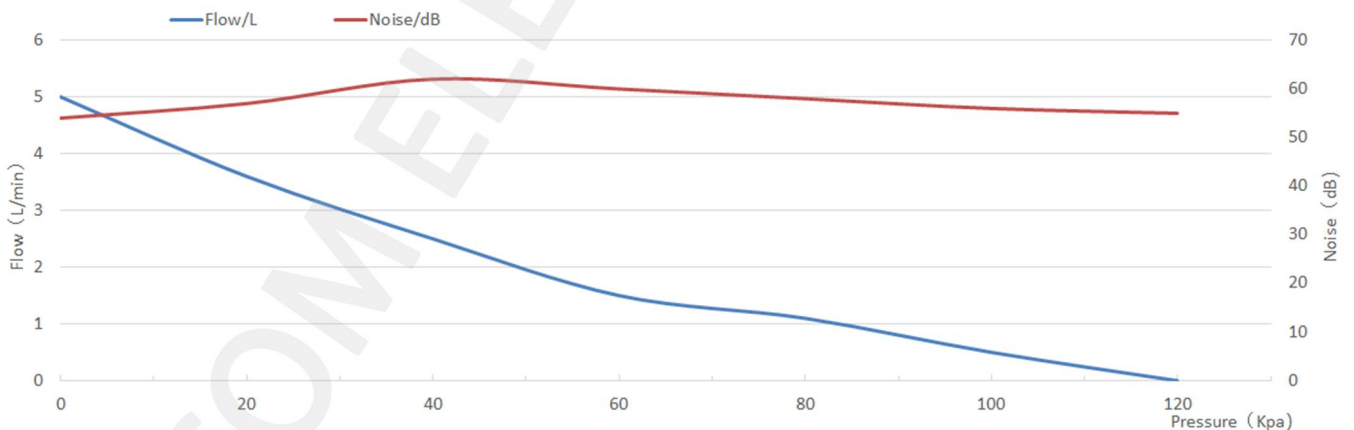
Cosmetic Instrument/Atomizer etc

产品尺寸 Dimension:



性能曲线图 Performance curve:

性能曲线图 Performance curve: 流量和噪音变化



产品参数 Parameter:

		Specification 产品规格			
额定电压	Rated voltage	DC3.0V	DC6.0V	DC12.0V	DC24.0V
额定电流	Rated current	<800mA	<650mA	<450mA	<300mA
充气时间	Inflation time	<8s (From 0 to 300mmHg in a 500CC tank)			
气密性	Leakage	<5mmHg/min from 300mmHg in a 500CC tank			
气流量	Air flow	>4.5L/min			
压力	Pressure	>120kPa			
噪音	Noise	<65dB (30 cm away)			
使用流体	Medium	Air			
寿命试验	Lifetime test	50,000 cycles (10s on, 2s off, 5s exhaust)			
使用环境	Working environment	0~50 °C, 75% RH			

型号 Model: SC3203XPV

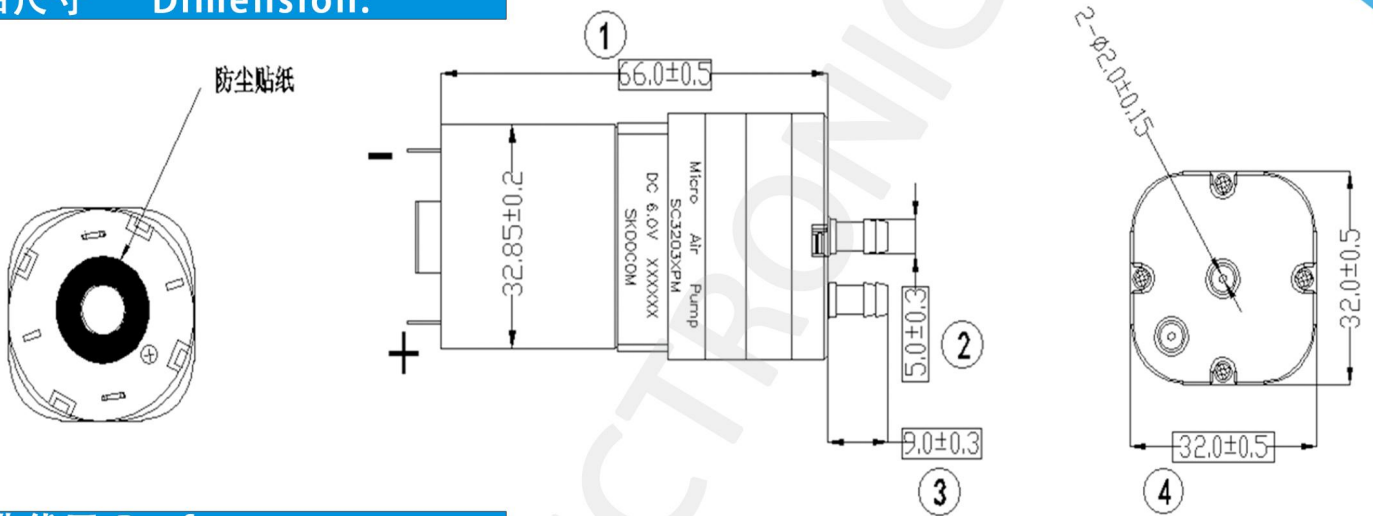
旧版型号: SC3802PM



Application

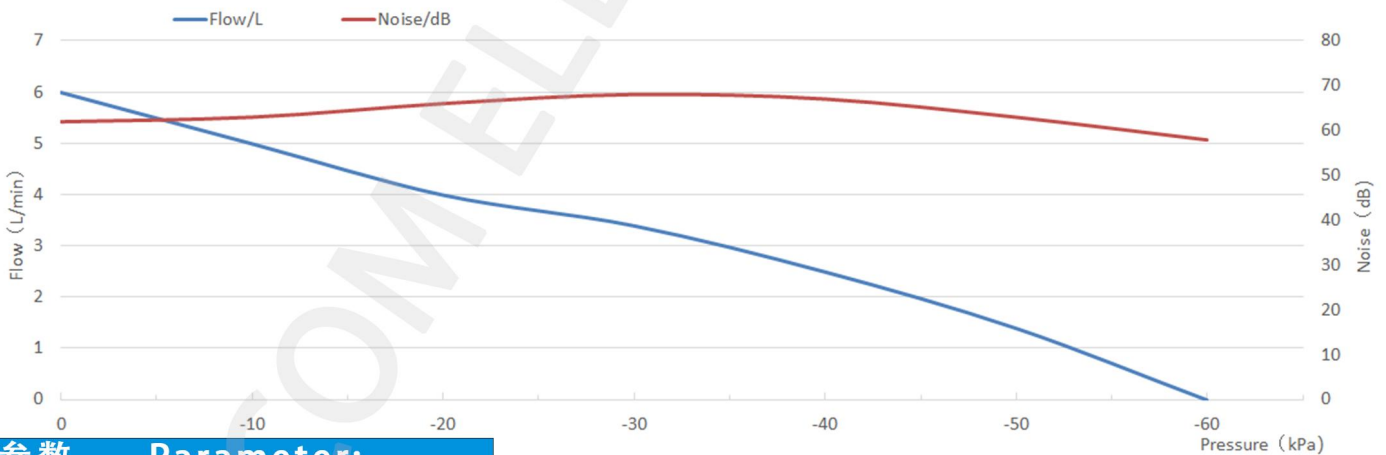
Nebulizer/Massage machine/
Vacuum packing machine etc

产品尺寸 Dimension:



性能曲线图 Performance curve:

性能曲线图 Performance curve:流量和噪音变化



产品参数 Parameter:

Specification 产品规格					
额定电压	Rated voltage	DC3.0V	DC6.0V	DC12.0V	DC24.0V
额定电流	Rated current	<1000mA	<800mA	<500mA	<300mA
气流量	Air flow	>5.5L/min			
真空	Vacuum	≤-60kpa			
噪音	Noise	<65dB (30 cm away)			
使用流体	Medium	Air			
寿命试验	Lifetime test	30,000 cycles (10s on, 2s off, 5s exhaust)			
使用环境	Working environment	0~50 °C, 75% RH			

型号 Model: SC1060DPV

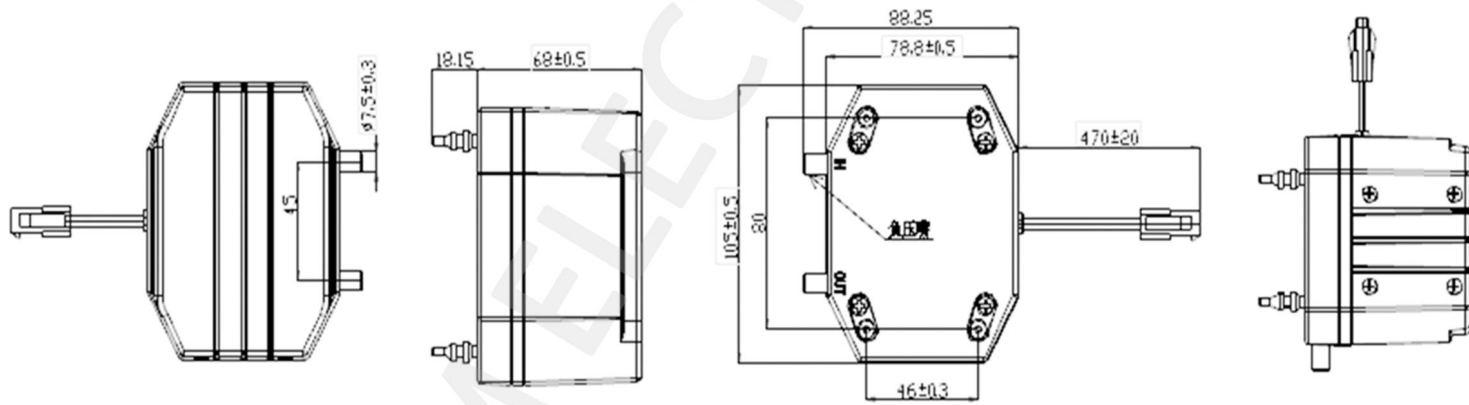
旧版型号: SC1060APM



气泵
Air
Pump

Application Filled air bag/massager

产品尺寸 Dimension:



产品参数 Parameter:

Specification 产品规格	
额定电压 Rated voltage	AC220V
额定电流 Rated current	<100mA
流量 Flow rate	>10L/min
真空 Vacuum	-230~-260mmhg
噪音 Noise	<60dB (30 cm away)
使用流体 Medium	Air
寿命试验 Lifetime test	>4,000 Times (60min on ,5min off)
使用环境 Working environment	0~50 °C, 75% RH

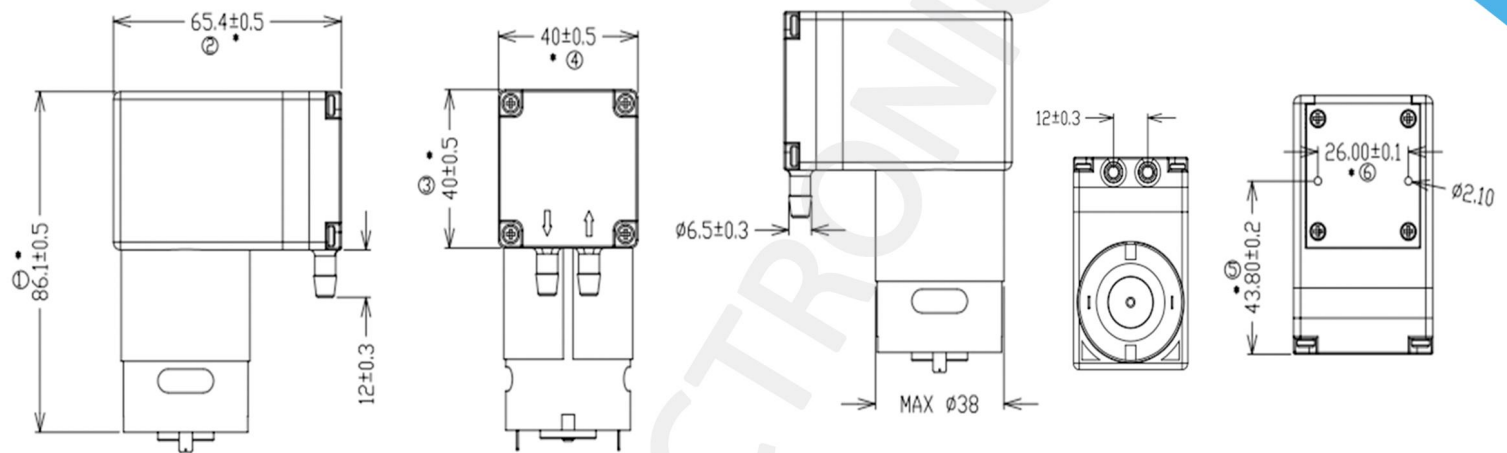
型号 Model: SC4001PPM

旧版型号: SC5002PM



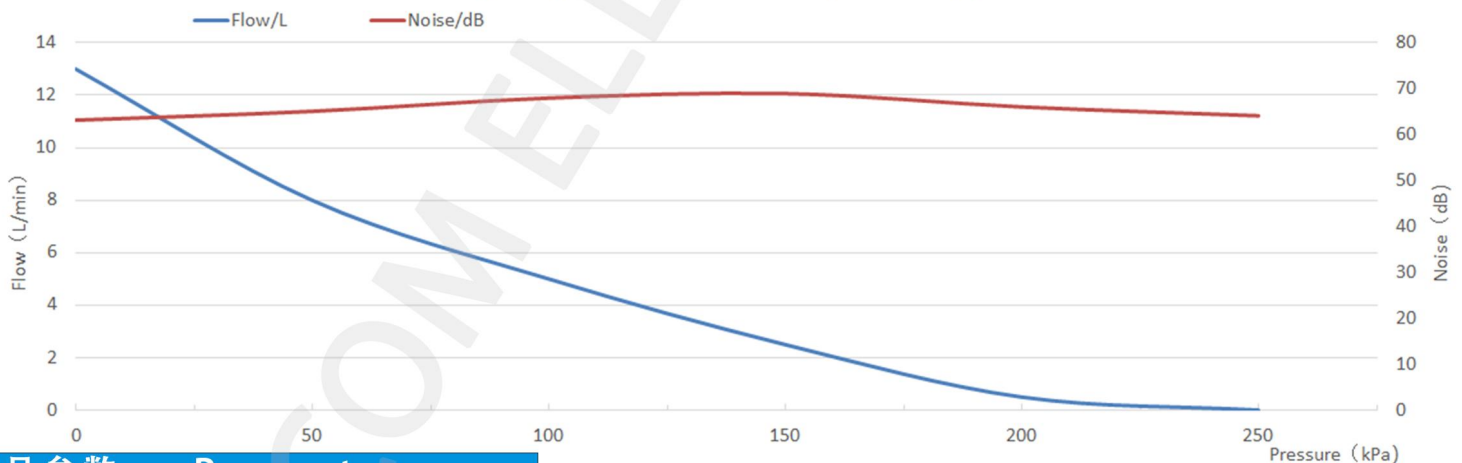
Application: Cosmetic Instrument/ Vacuum juicer blender/Breast Pump etc

产品尺寸 Dimension:



性能曲线图 Performance curve:

性能曲线图 Performance curve:流量和噪音变化



产品参数 Parameter:

Specification 产品规格					
额定电压	Rated voltage	DC3.0V	DC6.0V	DC12.0V	DC24.0V
额定电流	Rated current	<1000mA	<800mA	<600mA	<400mA
充气时间	Inflation time	<10s (From 0 to 300mmHg in a 500CC tank)			
气密性	Leakage	<3mmHg/min from 300mmHg in a 500CC tank			
气流量	Air flow	>10L/min			
压力	Pressure	>200kPa			
噪音	Noise	<72dB (30 cm away)			
使用流体	Medium	Air			
寿命试验	Lifetime test	100,000 cyclele(10s on ,2s off,5s exhaust)			
使用环境	Working environment	0~50 °C, 75% RH			

型号 Model: SC4001PPV

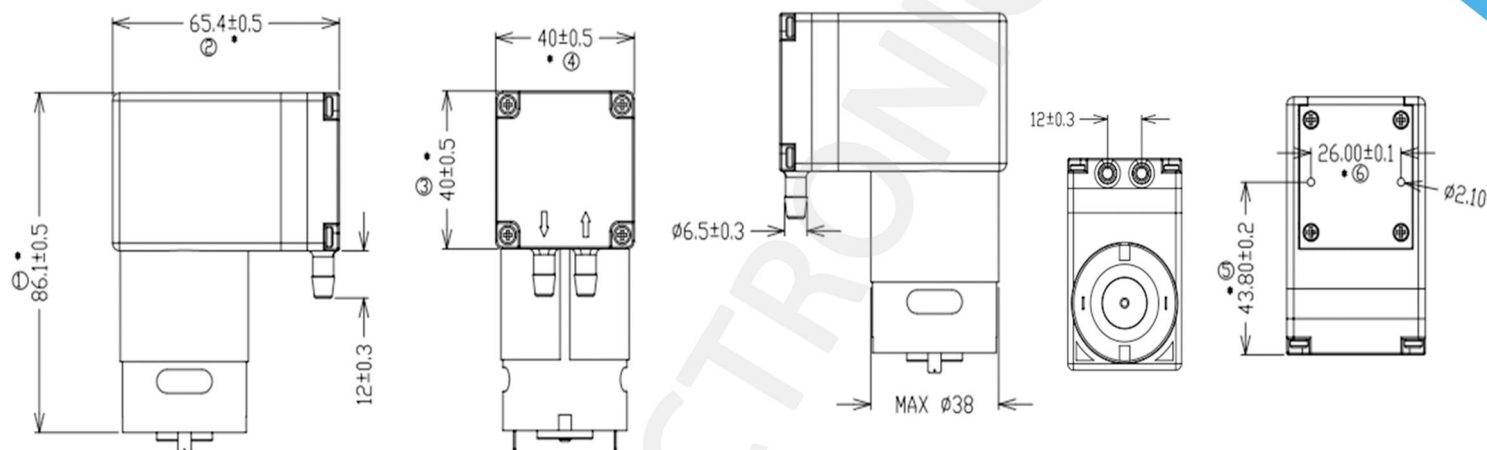
旧版型号: SC5002PM



Application

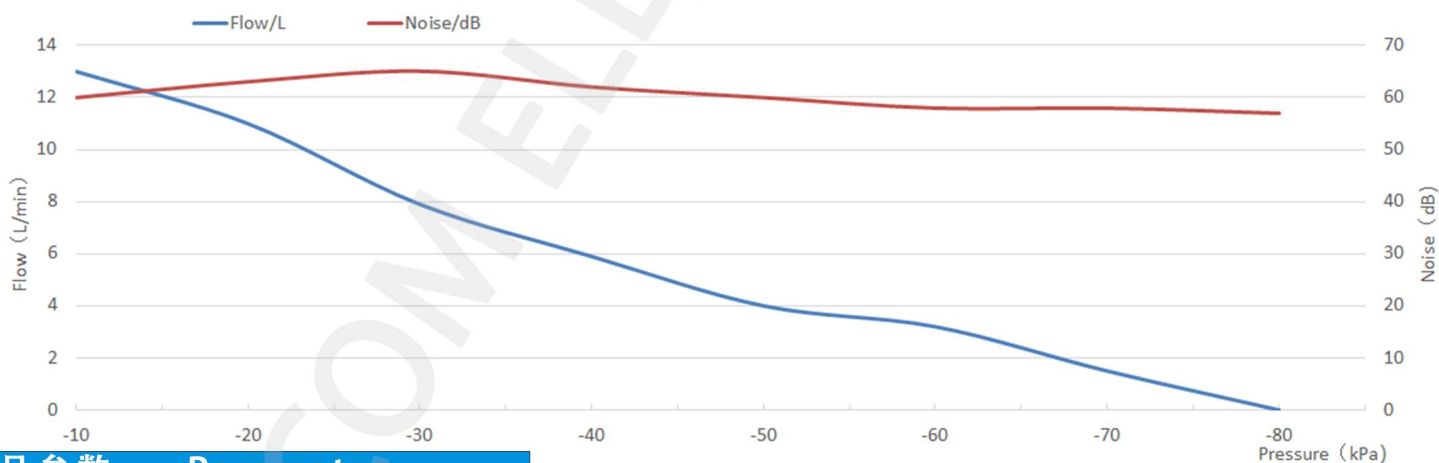
Cosmetic Instrument/
Vacuum juicer blender/Breast Pump etc

产品尺寸 Dimension:



性能曲线图 Performance curve:

性能曲线图 Performance curve:流量和噪音变化



产品参数 Parameter:

		Specification 产品规格		
额定电压	Rated voltage	DC6.0V	DC12.0V	DC24.0V
额定电流	Rated current	<1000mA	<600mA	<350mA
气流量	Air flow	>10L/min		
真空	Vacuum	<-78kPa		
噪音	Noise	<72dB (30 cm away)		
使用流体	Medium	Air		
寿命试验	Lifetime test	1,500 cycle (1s on, 1s off, 30min on, 5min off)		
使用环境	Working environment	0~50 °C, 75% RH		

型号 Model: SC4002PPM

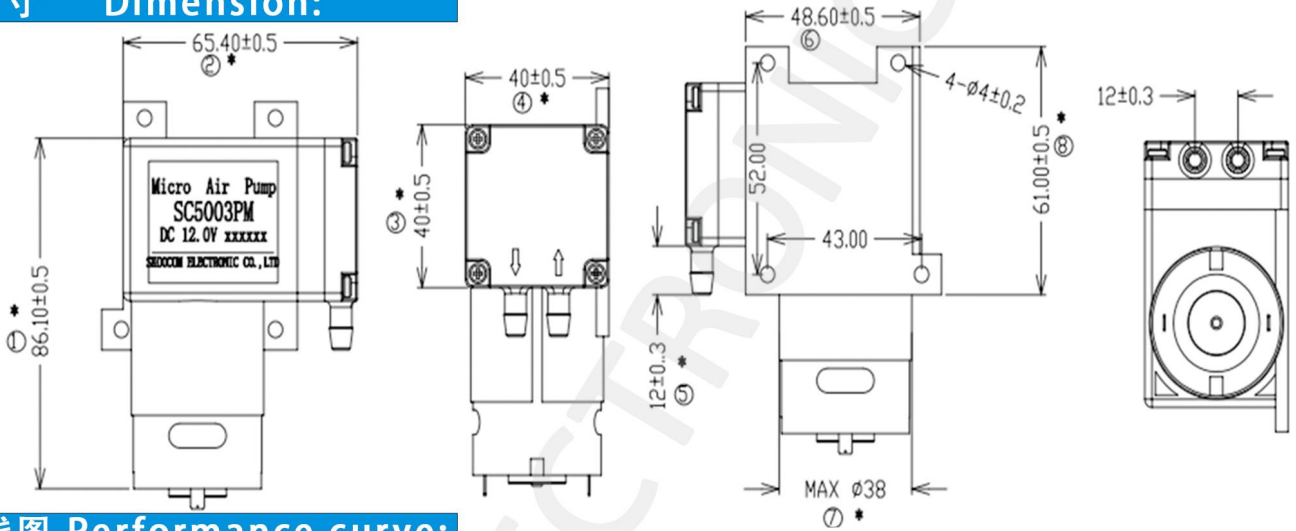
旧版型号: SC5003PM



Application

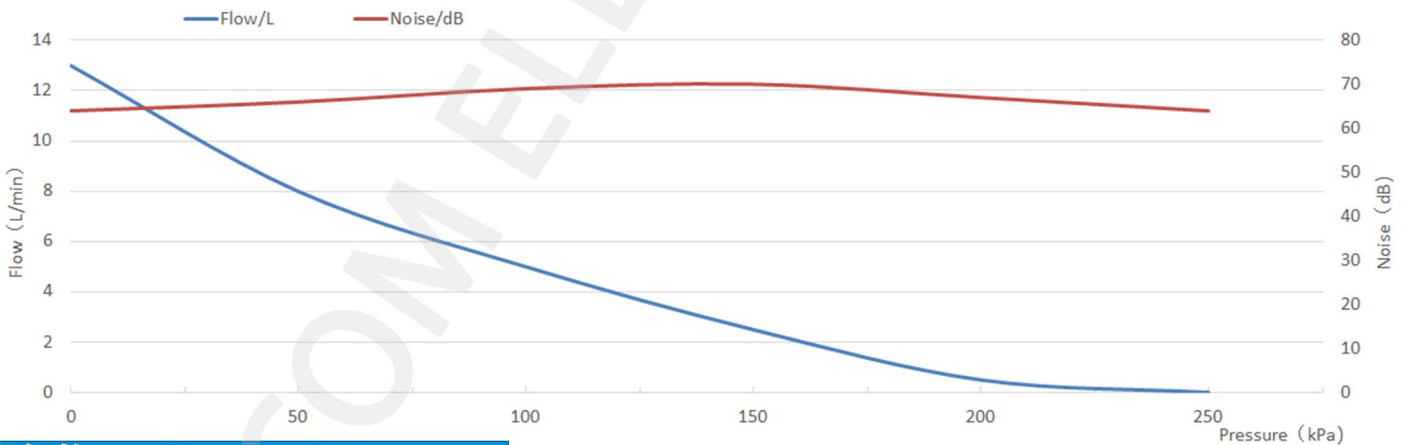
Vacuum packing machine/
Beer machine/Breast Pump etc

产品尺寸 Dimension:



性能曲线图 Performance curve:

性能曲线图 Performance curve:流量和噪音变化



产品参数 Parameter:

		Specification 产品规格			
额定电压	Rated voltage	DC3.0V	DC6.0V	DC12.0V	DC24.0V
额定电流	Rated current	<1000mA	<800mA	<600mA	<400mA
充气时间	Inflation time	<10s (From 0 to 300mmHg in a 500CC tank)			
气密性	Leakage	<3mmHg/min from 300mmHg in a 500CC tank			
气流量	Air flow	>10L/min			
压力	Pressure	>200kPa			
噪音	Noise	<72dB (30 cm away)			
使用流体	Medium	Air			
寿命试验	Lifetime test	100,000 cycle (10s on, 2s off, 5s exhaust)			
使用环境	Working environment	0~50 °C, 75% RH			

型号 Model: SC4002PPV

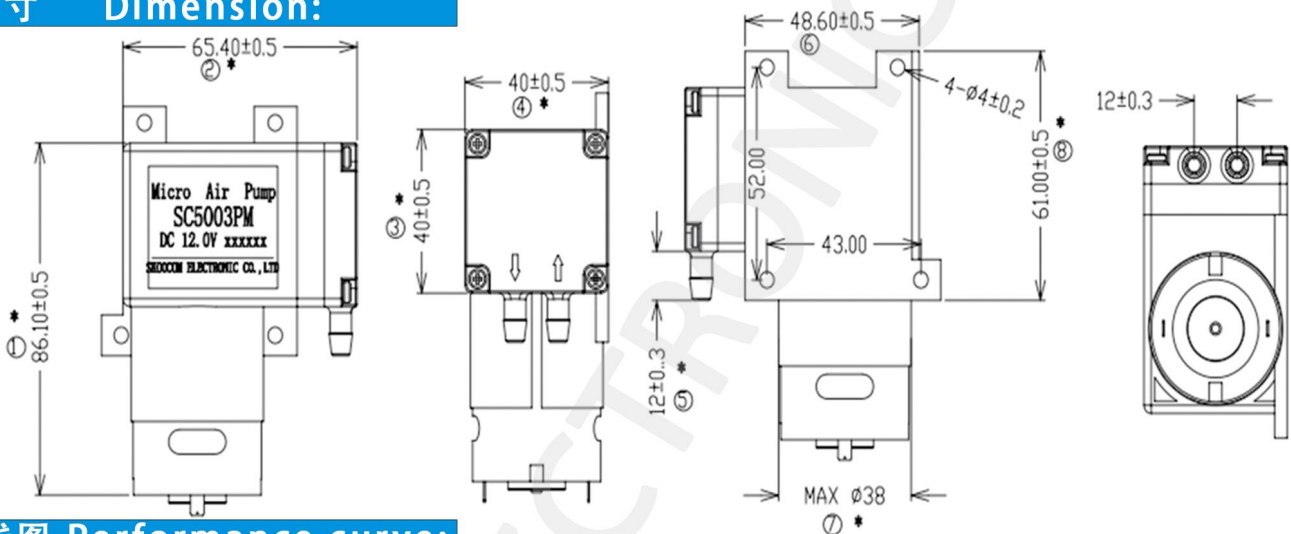
旧版型号: SC5003PM



Application

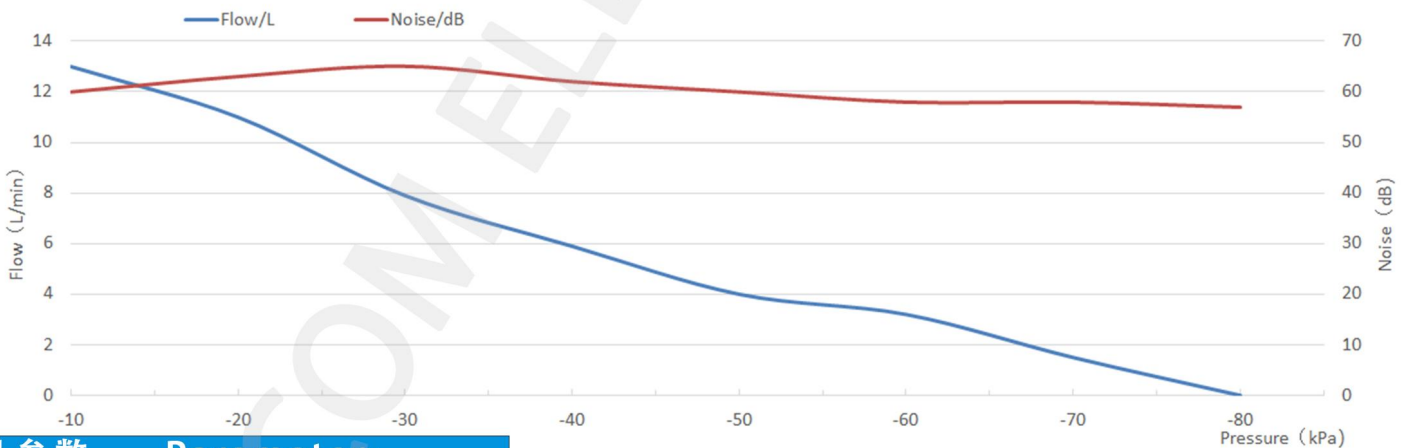
Vacuum packing machine/
Beer machine/Breast Pump etc

产品尺寸 Dimension:



性能曲线图 Performance curve:

性能曲线图 Performance curve:流量和噪音变化



产品参数 Parameter:

Specification 产品规格				
额定电压	Rated voltage	DC6.0V	DC12.0V	DC24.0V
额定电流	Rated current	<1000mA	<600mA	<350mA
气流量	Air flow	>10L/min		
真空	Vacuum	<-78kPa		
噪音	Noise	<72dB (30 cm away)		
使用流体	Medium	Air		
寿命试验	Lifetime test	100,000 cycle (10s on, 2s off, 5s exhaust)		
使用环境	Working environment	0~50 °C, 75% RH		

型号 Model: SC6001XPV

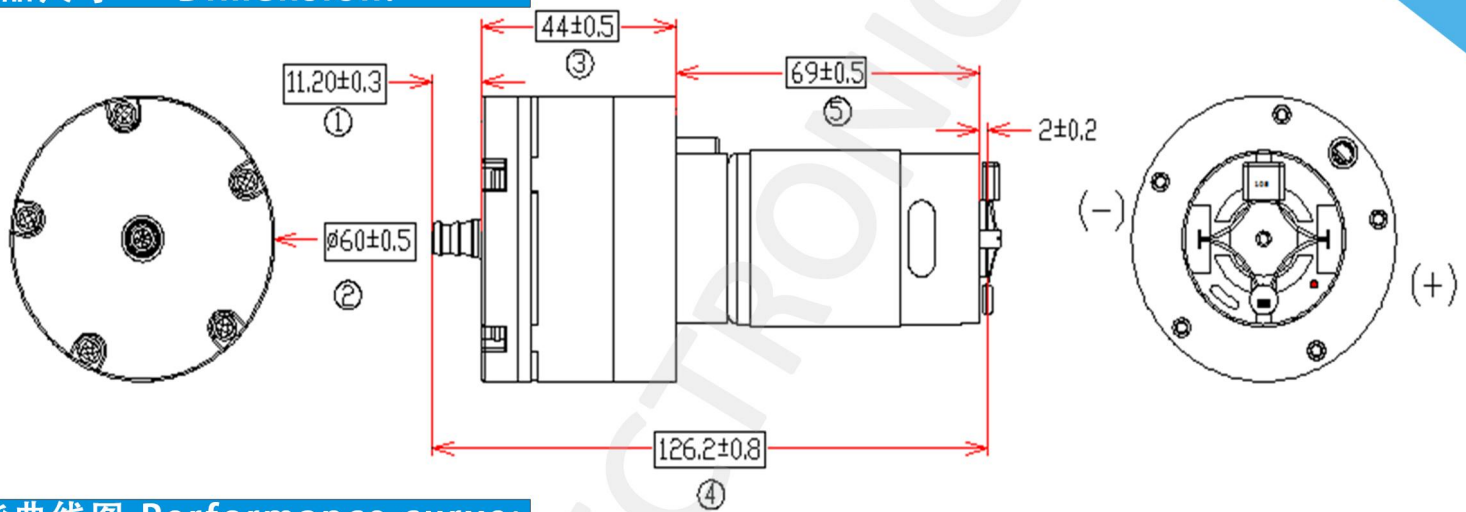
旧版型号: SC6001PM



Application

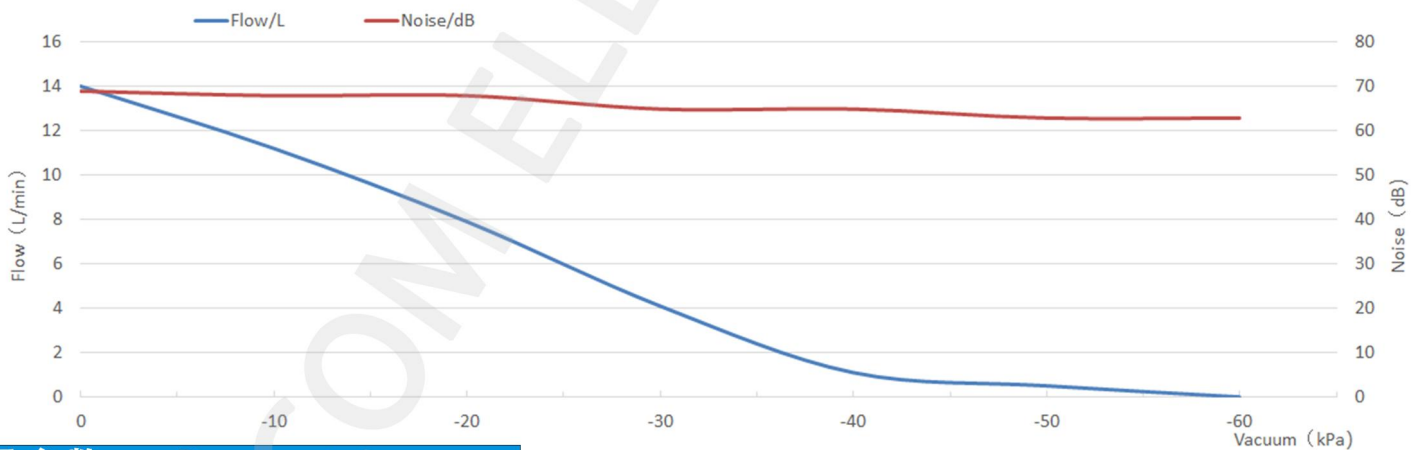
Cosmetic Instrument/
Massage machine/Dental engine etc

产品尺寸 Dimension:



性能曲线图 Performance curve:

性能曲线图 Performance curve:流量和噪音变化



产品参数 Parameter:

		Specification 产品规格	
额定电压	Rated voltage	DC12.0V	DC24.0V
额定电流	Rated current	<900mA	<500mA
气流量	Air flow	>12L/min	
真空	Vacuum	<-50kPa	
噪音	Noise	<70dB (30 cm away)	
使用流体	Medium	Air	
寿命试验	Lifetime test	150,000 cycle (5s on, 2s off, 5s exhaust)	
使用环境	Working environment	0~50 °C, 75% RH	

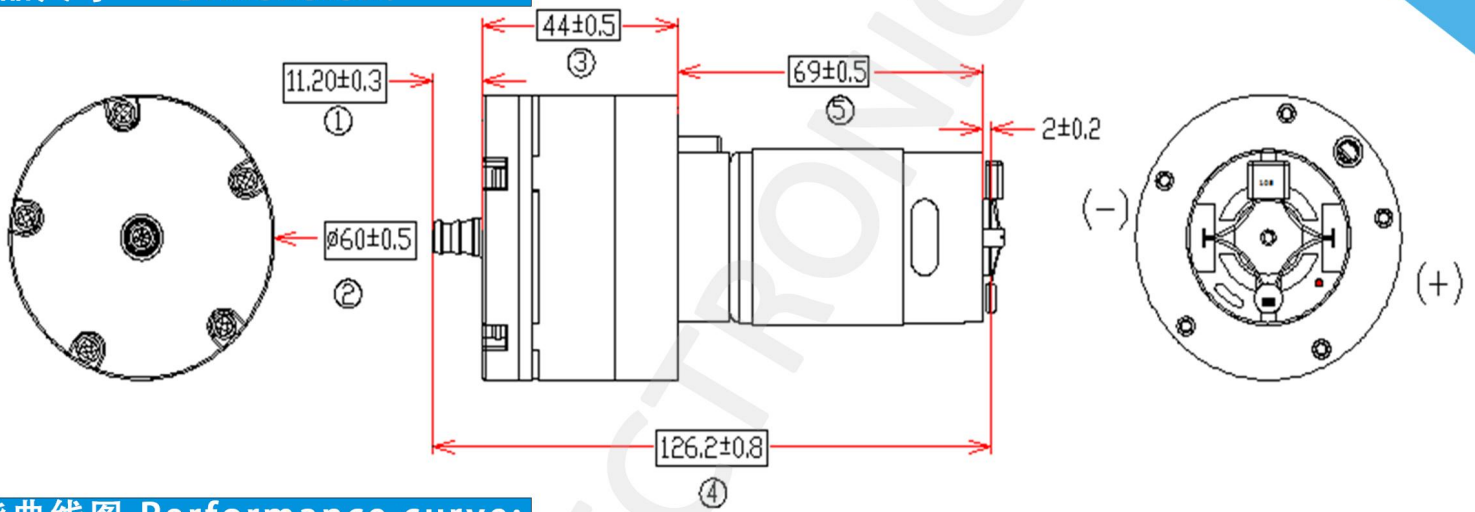
型号 Model: SC6005XPV



Application

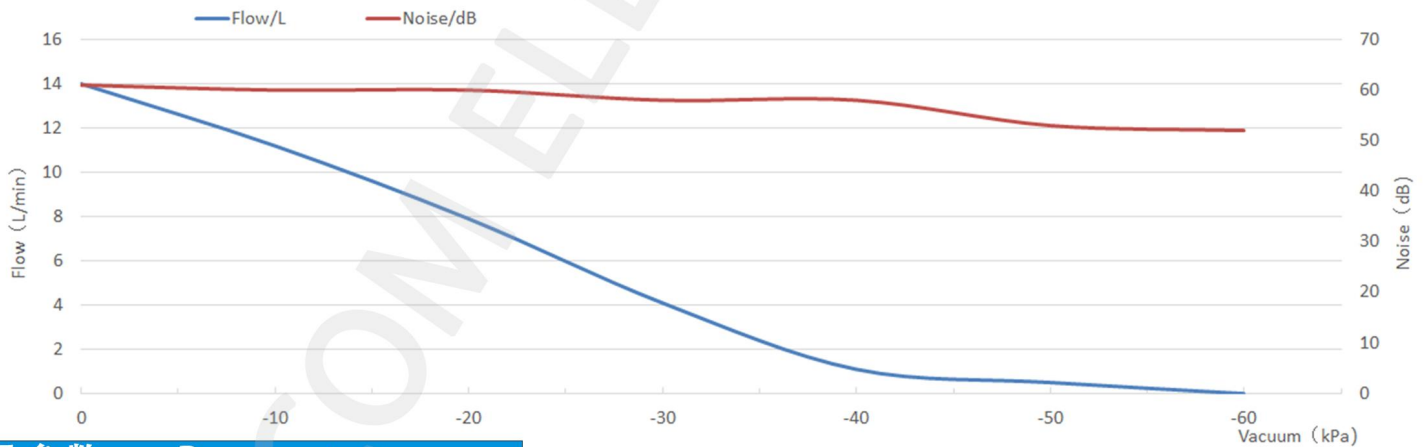
Cosmetic Instrument/
Massage machine/Dental engine etc

产品尺寸 Dimension:



性能曲线图 Performance curve:

性能曲线图 Performance curve:流量和噪音变化



产品参数 Parameter:

Specification 产品规格			
额定电压	Rated voltage	DC12.0V	DC24.0V
额定电流	Rated current	<900mA	<500mA
气流量	Air flow	>12L/min	
真空	Vacuum	<-50kPa	
噪音	Noise	<60dB (30 cm away)	
使用流体	Medium	Air	
寿命试验	Lifetime test	150,000 cycle (5s on, 2s off, 5s exhaust)	
使用环境	Working environment	0~50 °C, 75% RH	

型号 Model: SC6001XPM

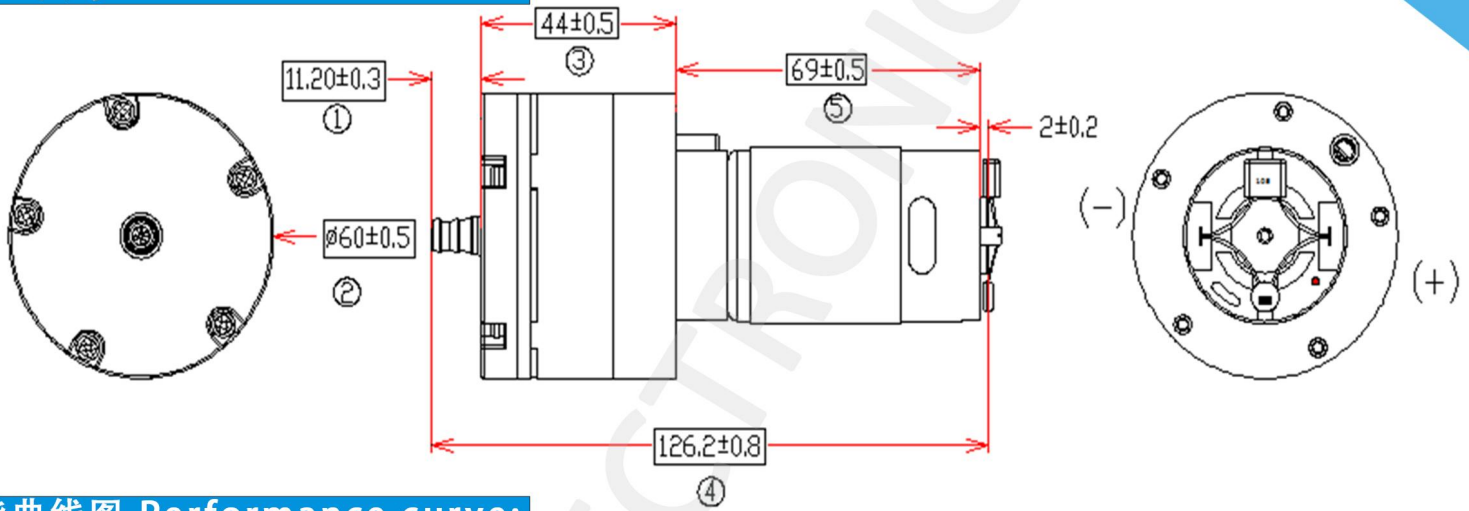
旧版型号: SC6001PM



Application

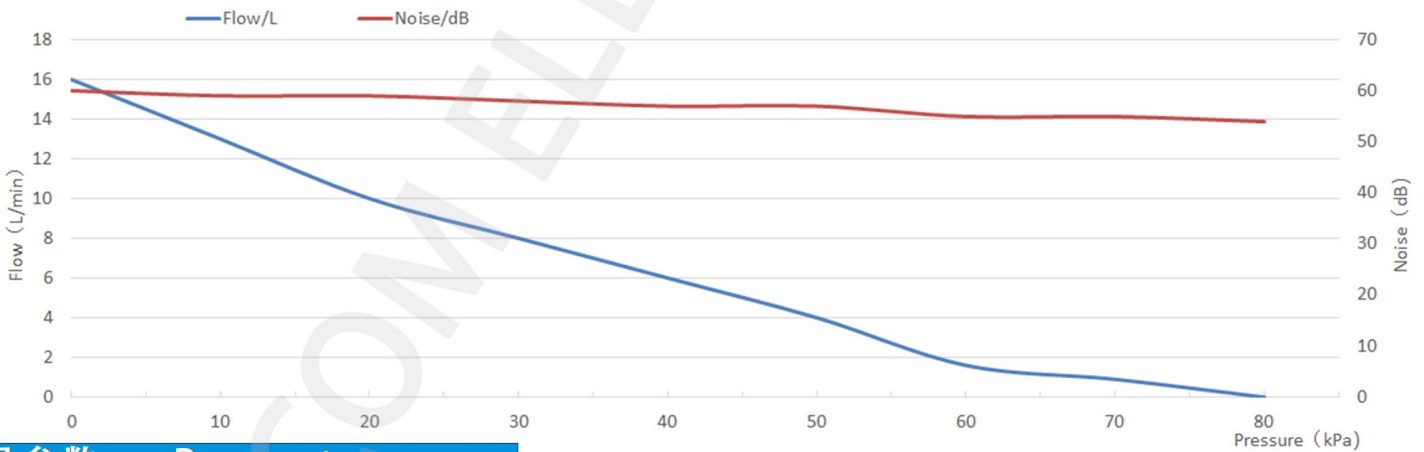
Cosmetic Instrument/
Massage machine/Dental engine etc

产品尺寸 Dimension:



性能曲线图 Performance curve:

性能曲线图 Performance curve:流量和噪音变化



产品参数 Parameter:

Specification 产品规格	
额定电压 Rated voltage	DC12.0V DC24.0V
额定电流 Rated current	<900mA <500mA
充气时间 Inflation time	<6s (From 0 to 300mmHg in a 1500CC tank)
气密性 Leakage	<10mmHg/min from 300mmHg in a 1500CC tank
气流量 Air flow	>15L/min
压力 Pressure	>80kPa
噪音 Noise	<65dB (30 cm away)
使用流体 Medium	Air
寿命试验 Lifetime test	150,000 cycle (5s on, 2s off, 5s exhaust)
使用环境 Working environment	0~50 °C, 75% RH

型号 Model: SC6002XPM

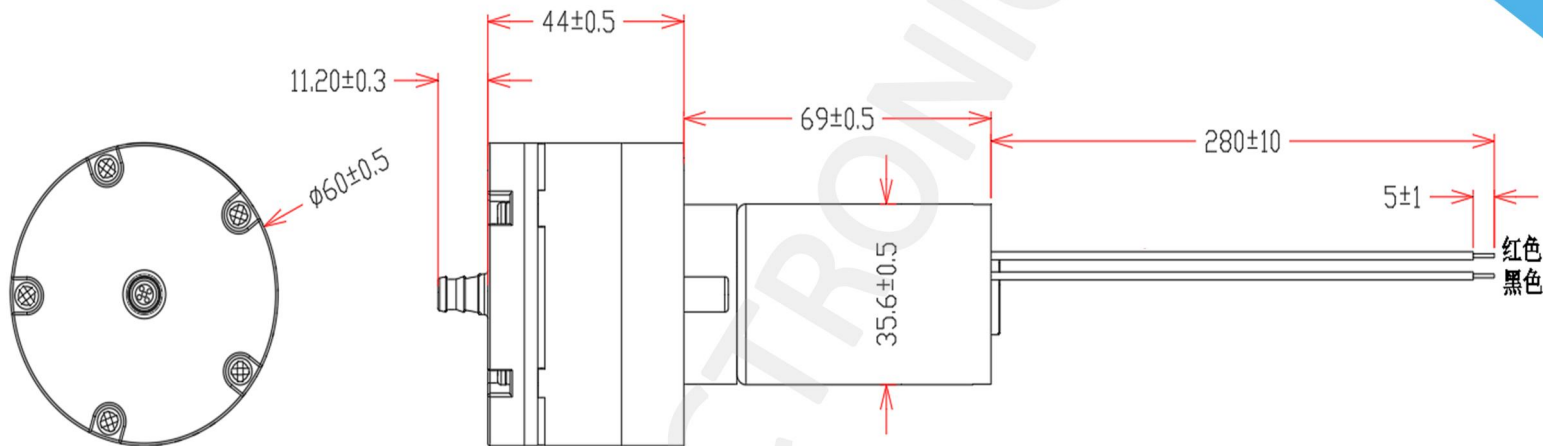
旧版型号: SC6002PM



Application

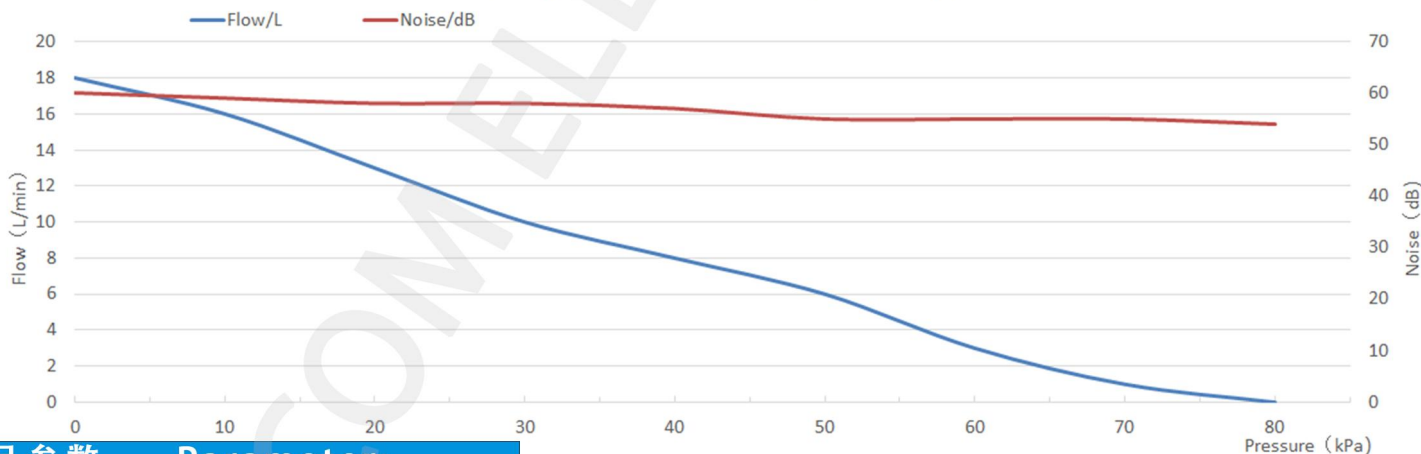
Cosmetic Instrument/
Massage machine/Dental engine etc

产品尺寸 Dimension:



性能曲线图 Performance curve:

性能曲线图 Performance curve:流量和噪音变化



产品参数 Parameter:

		Specification 产品规格		
额定电压	Rated voltage	DC6.0V	DC12.0V	DC24.0V
额定电流	Rated current	<2000mA	<1500mA	<1000mA
充气时间	Inflation time	<6s (From 0 to 300mmHg in a 1500CC tank)		
气密性	Leakage	<10mmHg/min from 300mmHg in a 1500CC tank		
气流量	Air flow	>15L/min		
压力	Pressure	>80kPa		
噪音	Noise	<65dB (30 cm away)		
使用流体	Medium	Air		
寿命试验	Lifetime test	1000 Hours (BRUSHLESS MOTOR)		
使用环境	Working environment	0~50 °C, 75% RH		

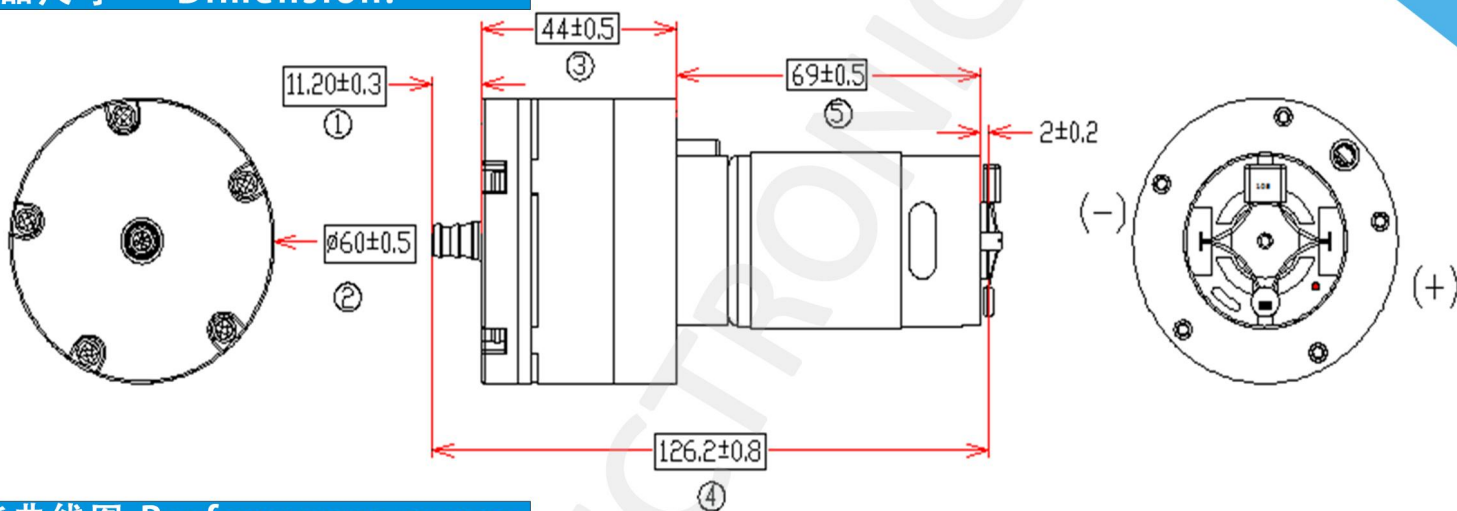
型号 Model: SC6005XPM



Application

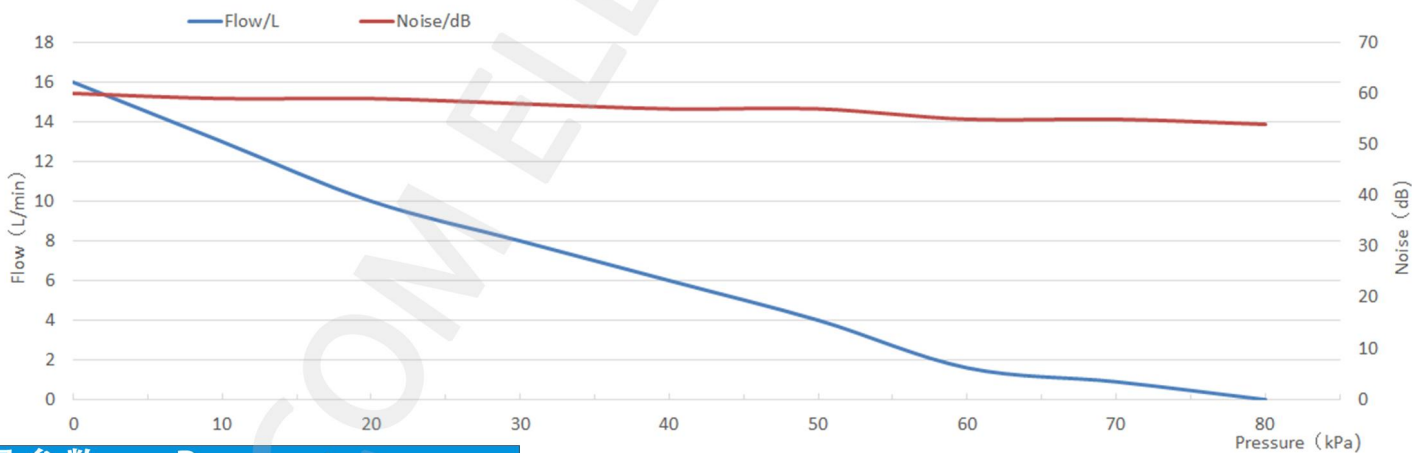
Cosmetic Instrument/
Massage machine/Dental engine etc

产品尺寸 Dimension:



性能曲线图 Performance curve:

性能曲线图 Performance curve: 流量和噪音变化



产品参数 Parameter:

Specification 产品规格	
额定电压 Rated voltage	DC12.0V DC24.0V
额定电流 Rated current	<900mA <500mA
充气时间 Inflation time	<6s (From 0 to 300mmHg in a 1500CC tank)
气密性 Leakage	<10mmHg/min from 300mmHg in a 1500CC tank
气流量 Air flow	>15L/min
压力 Pressure	>80kPa
噪音 Noise	<60dB (30 cm away)
使用流体 Medium	Air
寿命试验 Lifetime test	150,000 cycle (5s on, 2s off, 5s exhaust)
使用环境 Working environment	0~50 °C, 75% RH